

ON-STREET BIKE PARKING PROGRAM

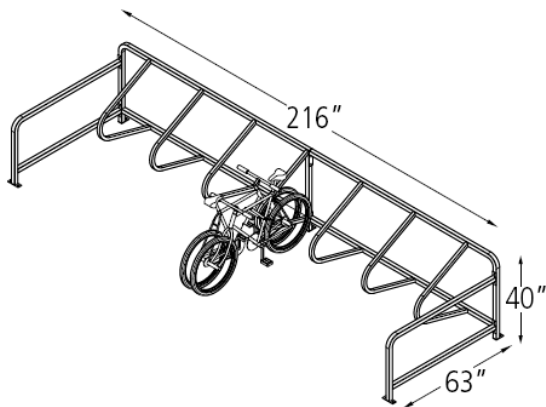
September 1, 2010

The City of Somerville is pleased to announce the launch of its On-Street Bike Parking Program (OSBPP). This program is designed to allow businesses to request that an on-street bike corral replace an existing metered parking space in front of their business. Bike corrals are bike racks that accommodate 14 bikes in the space of one regular metered or commercial parking space (see diagram and images, below). The intent is to give businesses an option to provide parking that accommodates their customer base, which may be largely bicycle-based.

Interested parties should submit a letter of interest explaining their desired participation in the program, demonstrating their support for the removal of an auto parking space in front of their business, and any other issues they would like the City to consider. The number of bike corrals is limited and the decision is not solely based on demand – it is not guaranteed that all interested businesses will receive a bike corral in front of their establishment. If a business is selected to participate, it is expected they will work with the City and the Traffic Commission to transfer a parking space to a place for a bike corral. This program is a pilot; if successful and if funds are available, the City may expand the OSBPP based on demand.

Pending cooperation from all parties, it is anticipated that bike corrals will be installed during fall 2010 or spring 2011. Every winter, the corrals will be taken off the street for a period of time so as to not interfere with snow plowing activities. Each spring, they will be reinstalled in the same location. During the winter, the parking spot will revert back to its previous use, hours of operation and pricing schedule.

For more information, contact the Mayor's Office of Strategic Planning and Community Development at 617-625-6600 ext. 2500. Submit letters of interest to Kathleen Ziegenfuss, City Hall, 93 Highland Avenue, Somerville MA 02143 or kziegenfuss@somervillema.gov.



Dero Cycle Stall, image provided by Dero Bike Rack Company



Images provided by BostonBiker.org

This program is made possible by the Metropolitan Area Planning Council's Regional Bike Parking Program, which reimburses cities and towns throughout the metro Boston region for the purchase cost of the racks.