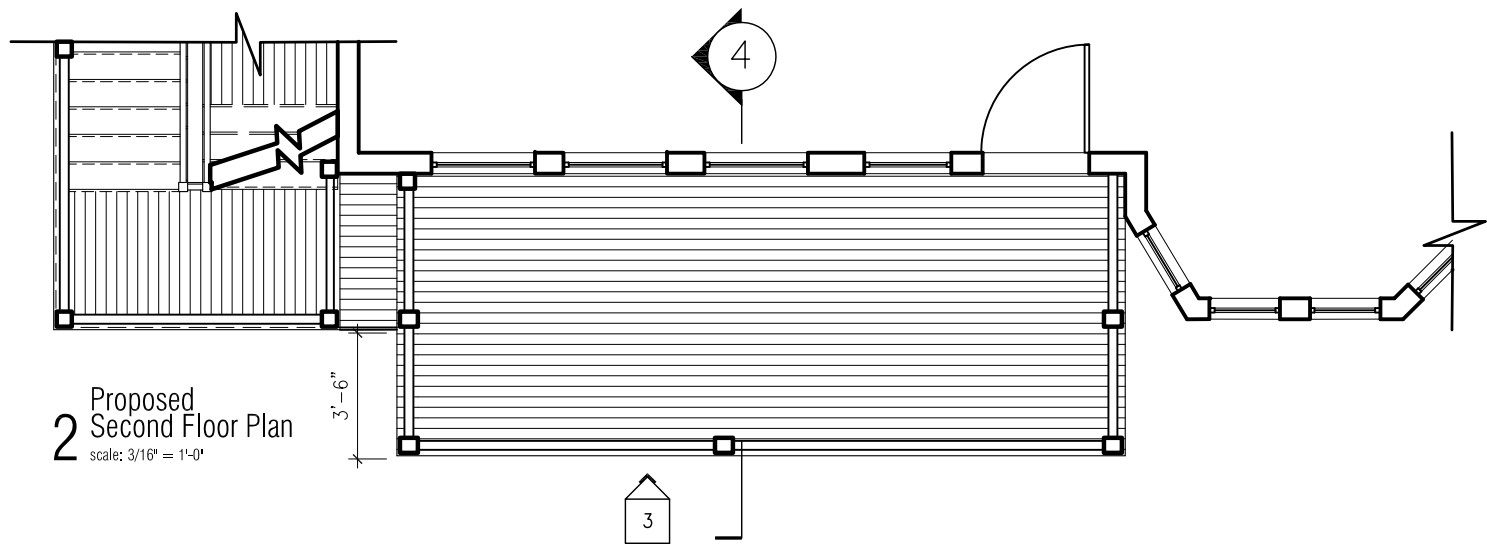


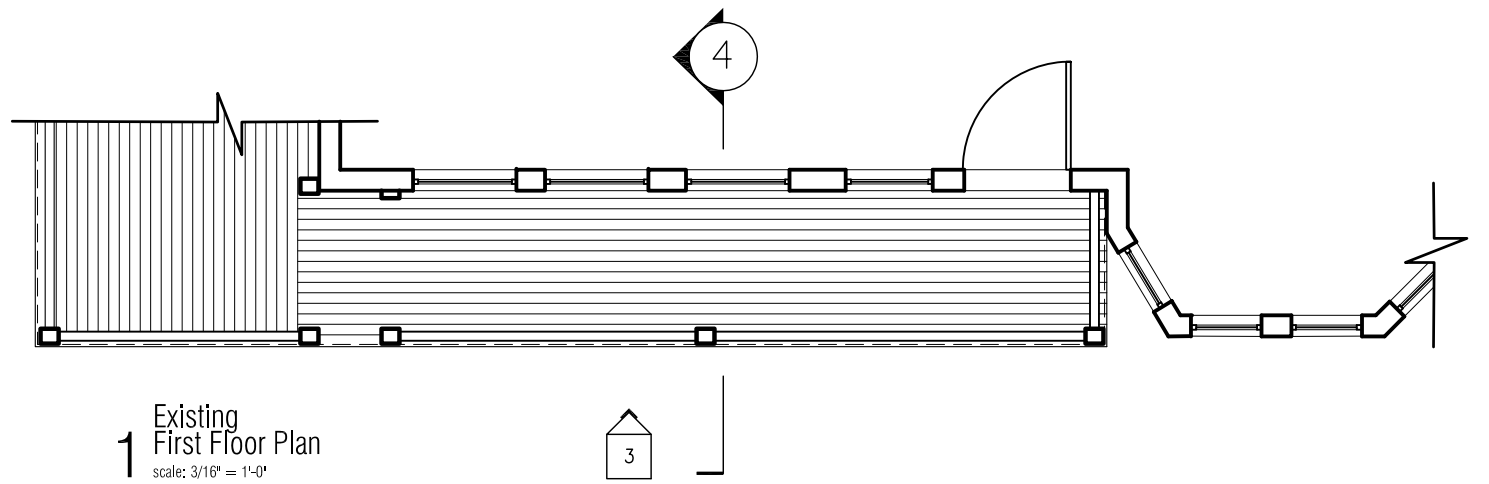
4 Section
scale: 3/16" = 1'-0"



3 Proposed
Exterior Elevation
scale: 3/16" = 1'-0"



2 Proposed
Second Floor Plan
scale: 3/16" = 1'-0"



1 Existing
First Floor Plan
scale: 3/16" = 1'-0"