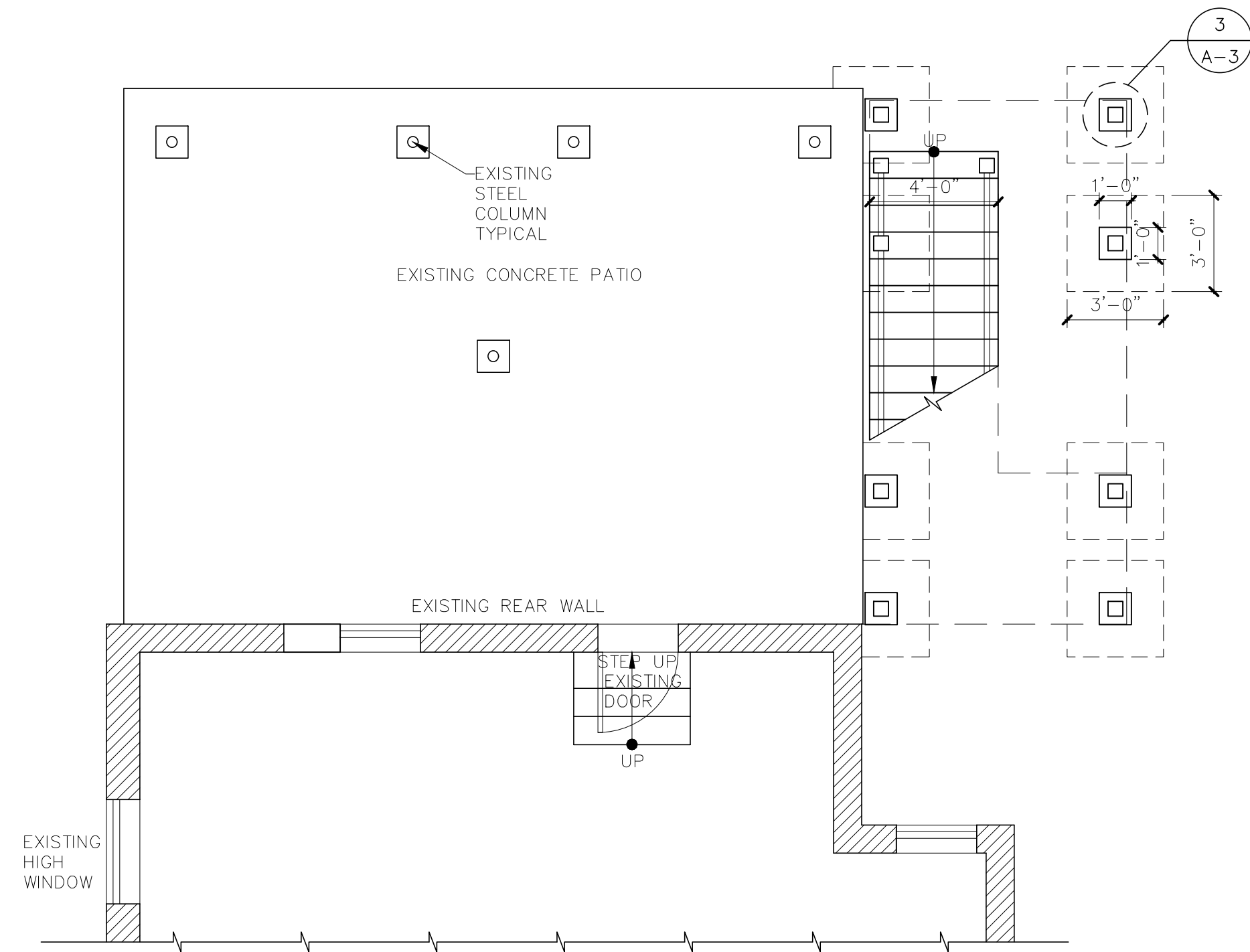


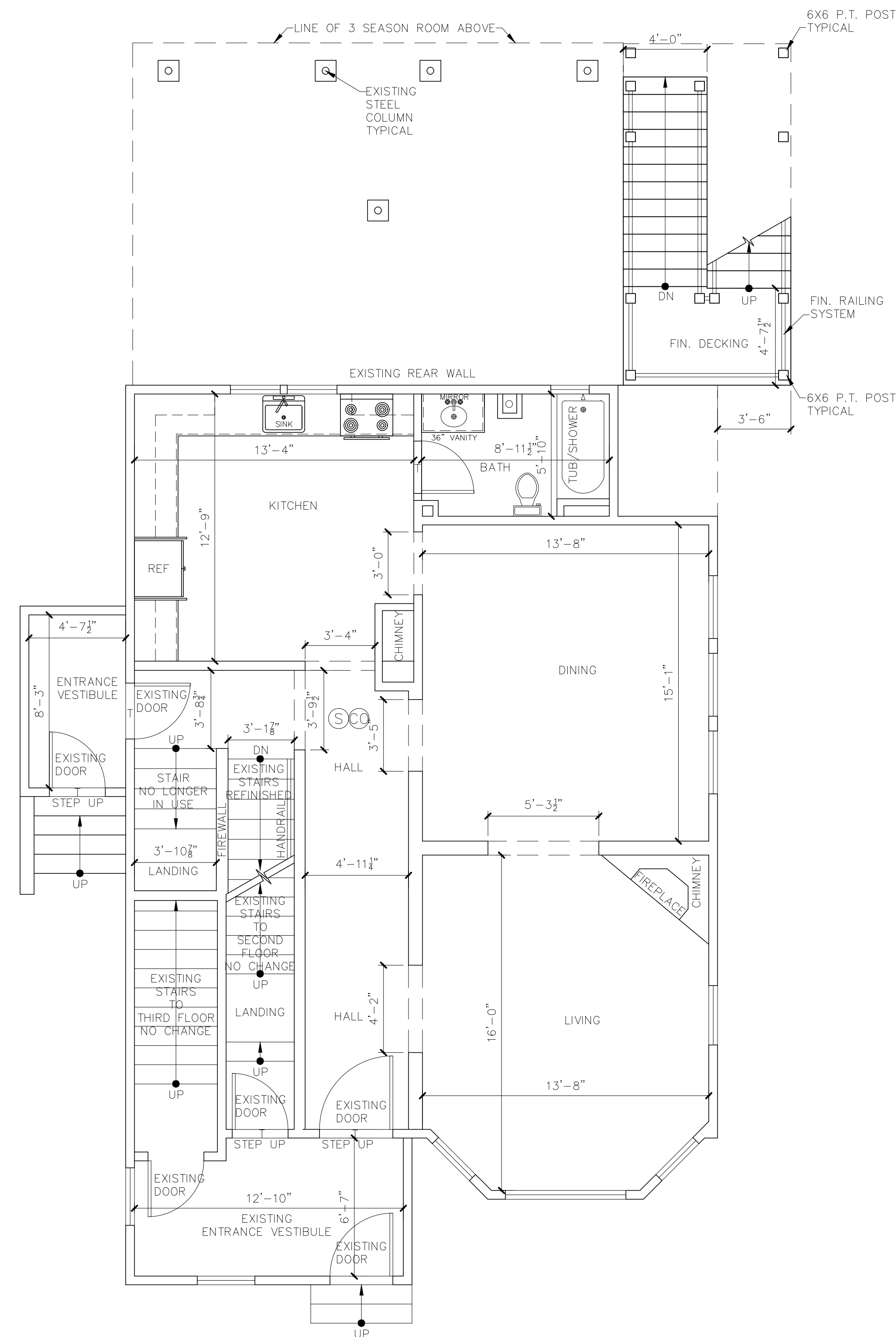
General Notes :



EXISTING PARTIAL BASEMENT FLOOR PLAN
NEW REAR EGRESS STAIR FOOTINGS

SCALE 1/4"=1'-0"

1. ALL DIMENSIONS TO BE VERIFIED IN THE FIELD.
2. EXACT MATERIALS, COLORS TO BE VERIFIED IN THE FIELD WITH OWNER

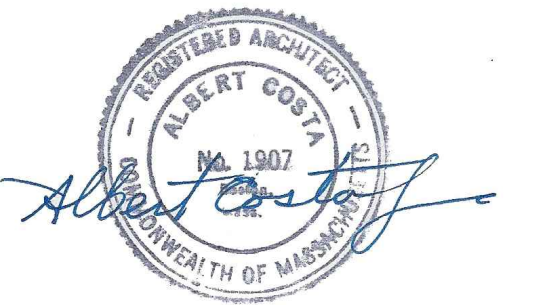


EXISTING FIRST FLOOR PLAN
NEW REAR EGRESS STAIR

SCALE 1/4"=1'-0"



681 MAIN STREET
WALTHAM, MA 02451
TEL./FAX: 781-647-5831



Job Number: 00019

Scale: 1/4" = 1'-0"

Date: 3-31-19

Revisions:

EXISTING BASEMENT
AND FIRST FLOOR PLANS
NEW REAR EGRESS STAIR

Drawing

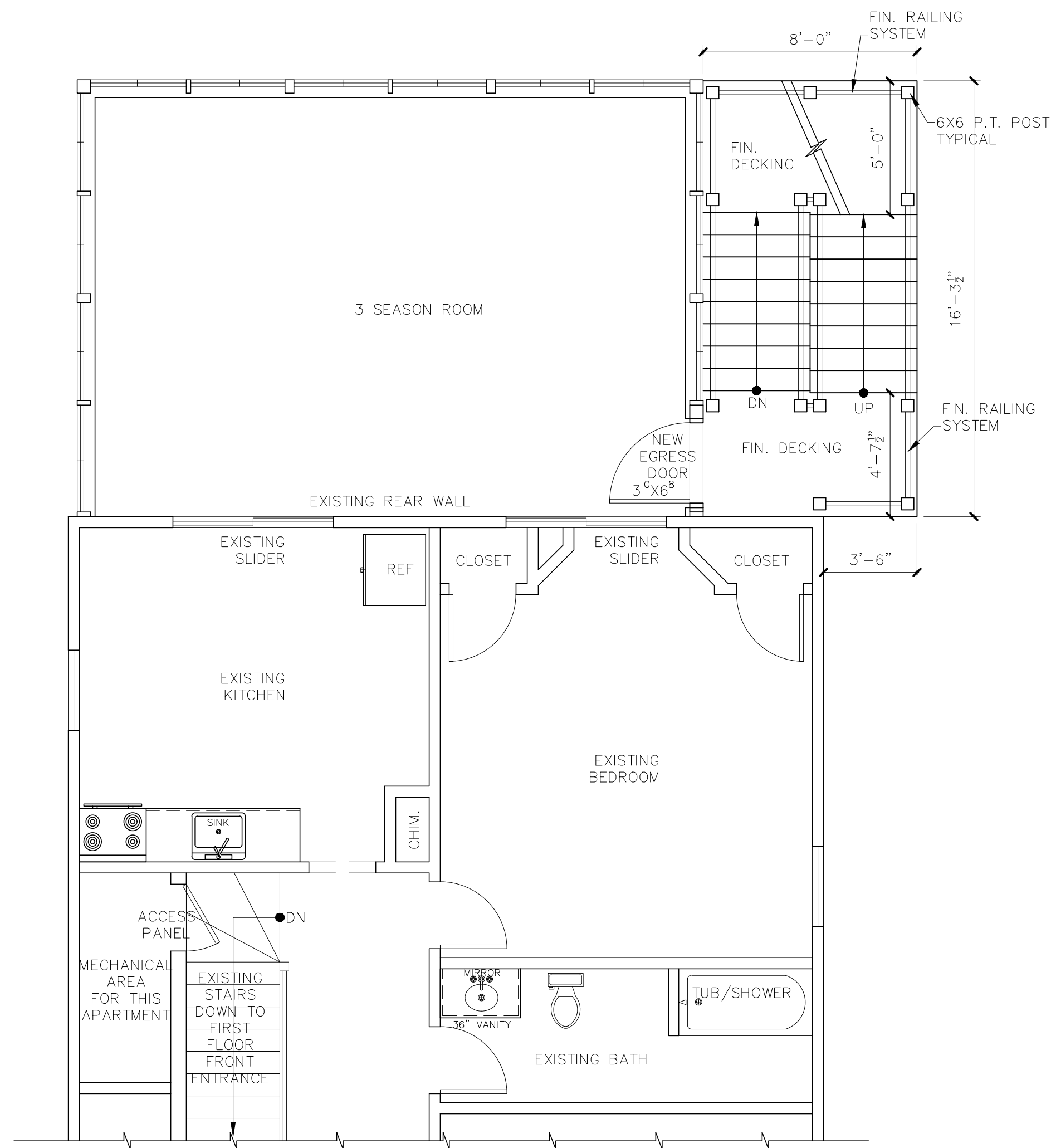
A-1

MR. ALVARO CARVALHO

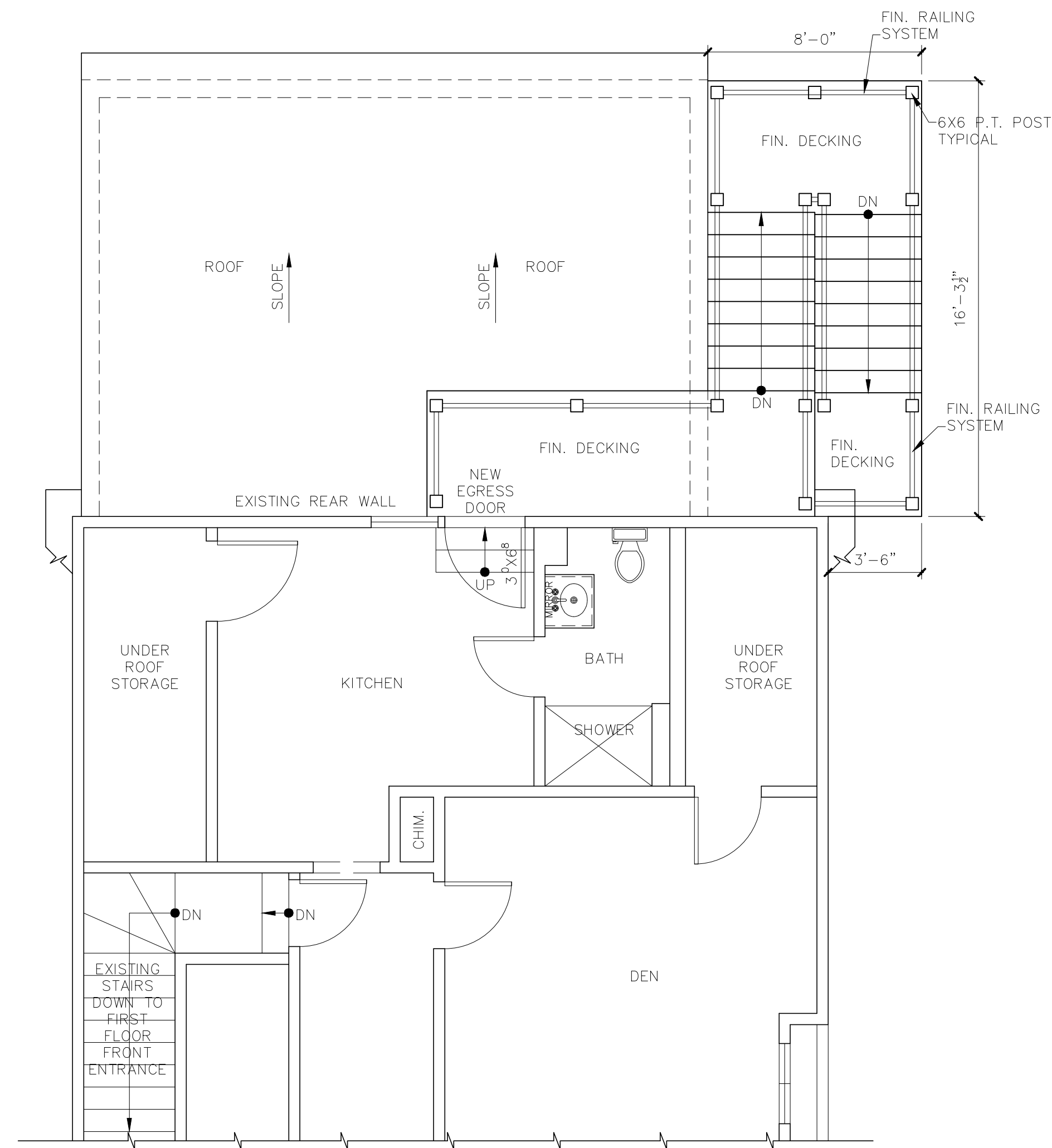
17 DARTMOUTH ST
SOMERVILLE, MASS

EXISTING 3 FAMILY HOME
NEW REAR EGRESS STAIRS

General Notes :



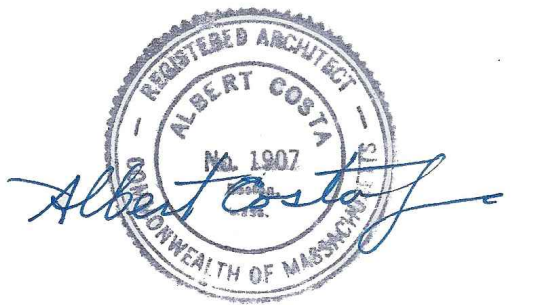
EXISTING PARTIAL SECOND FLOOR PLAN
NEW REAR EGRESS STAIR
SCALE 1/4"=1'-0"



EXISTING PARTIAL THIRD FLOOR PLAN
NEW REAR EGRESS STAIR
SCALE 1/4"=1'-0"



681 MAIN STREET
WALTHAM, MA 02451
TEL./FAX: 781-647-5831



Job Number: 00019

Scale: 1/4" = 1'-0"

Date: 3-31-19

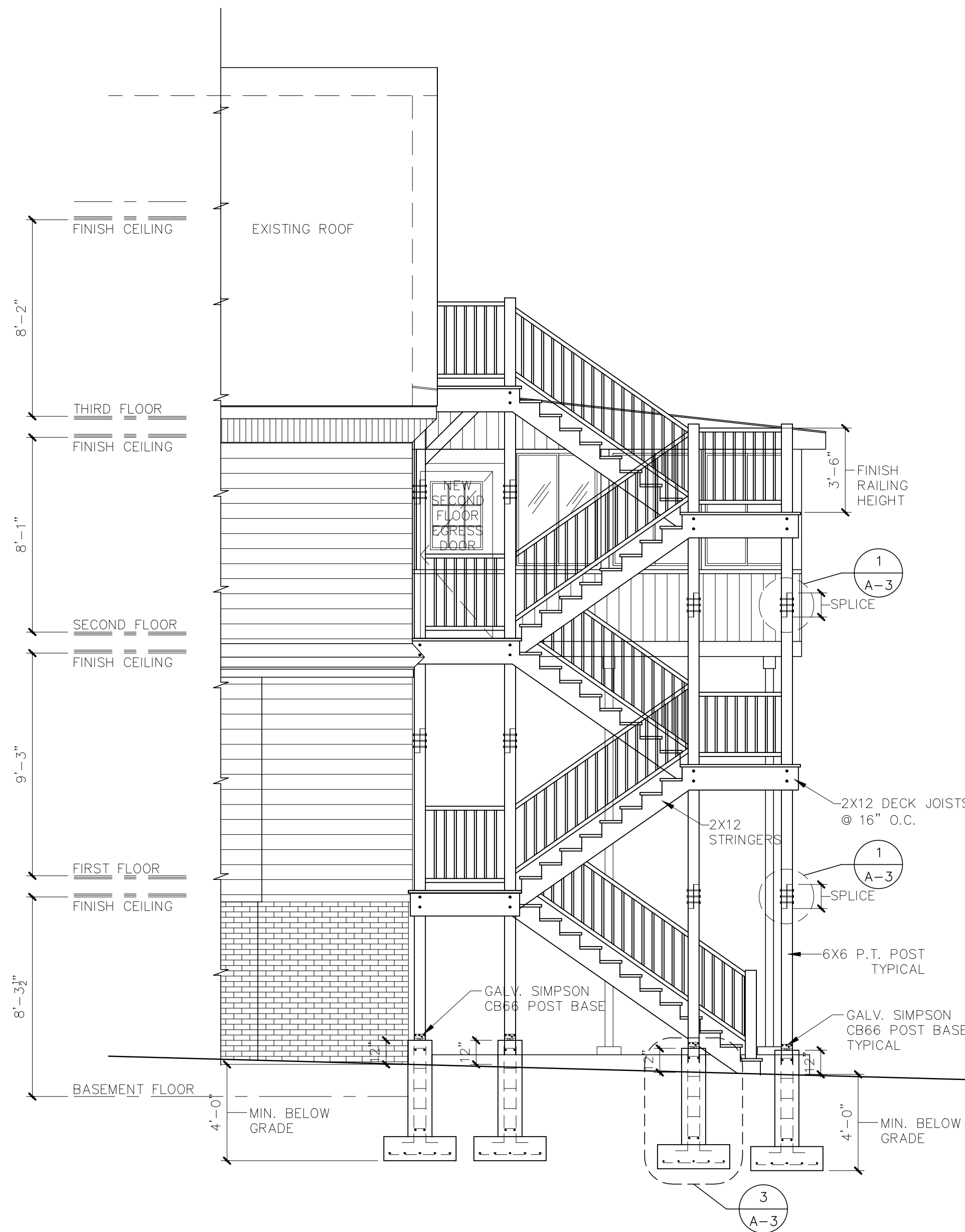
Revisions:

EXISTING PARTIAL SECOND
AND THIRD FLOOR PLANS
NEW REAR EGRESS STAIR

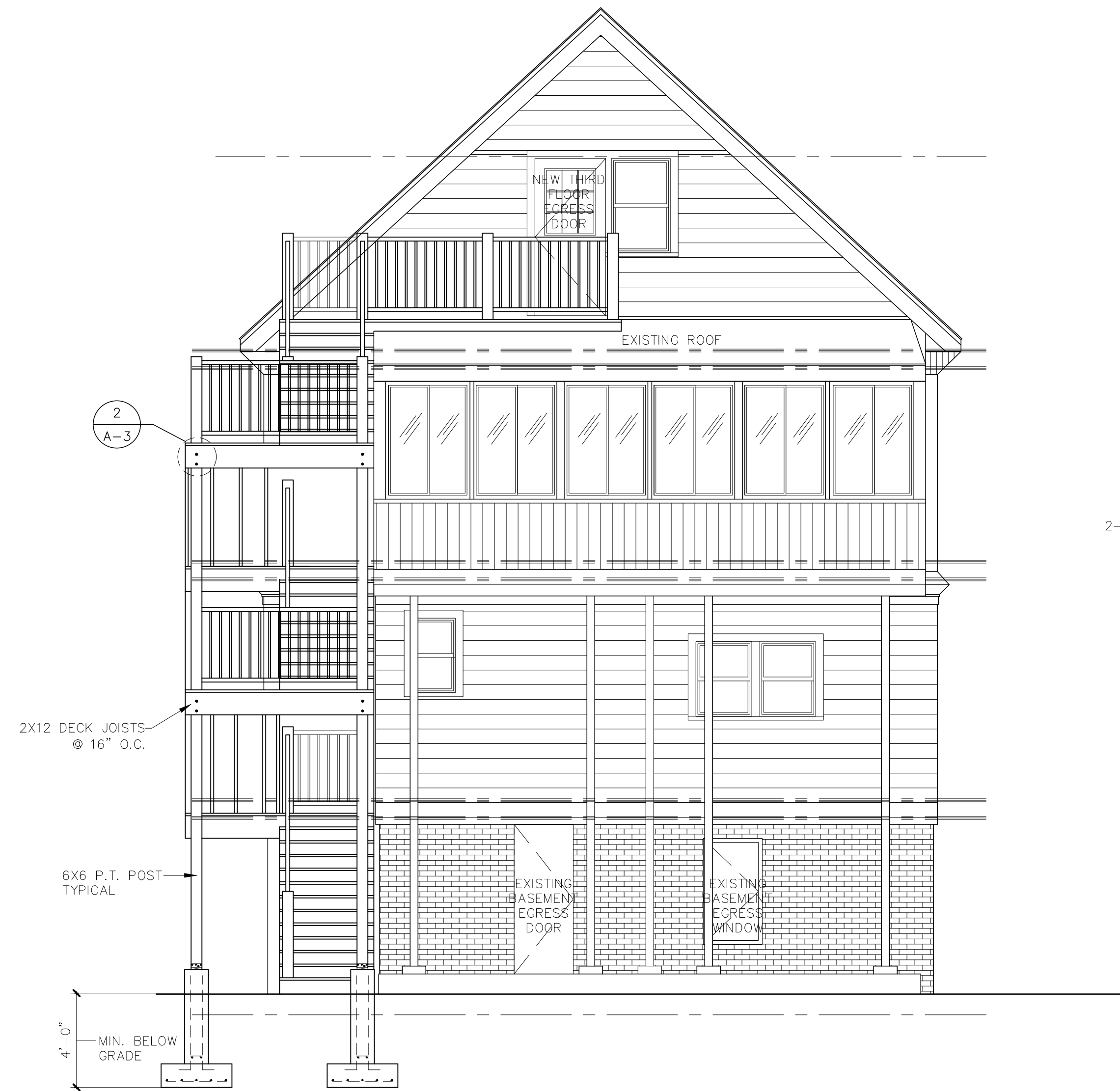
Drawing

A-2

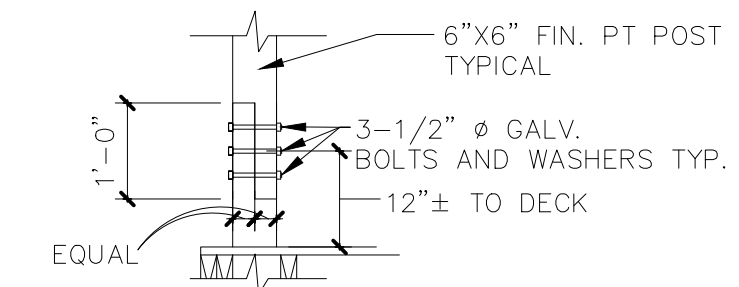
General Notes :



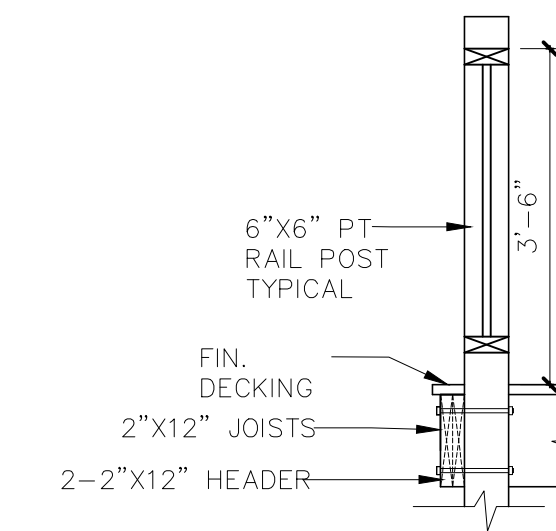
EXISTING RIGHT SIDE ELEVATION-NEW EGRESS STAIR
SCALE 1/4"=1'-0"



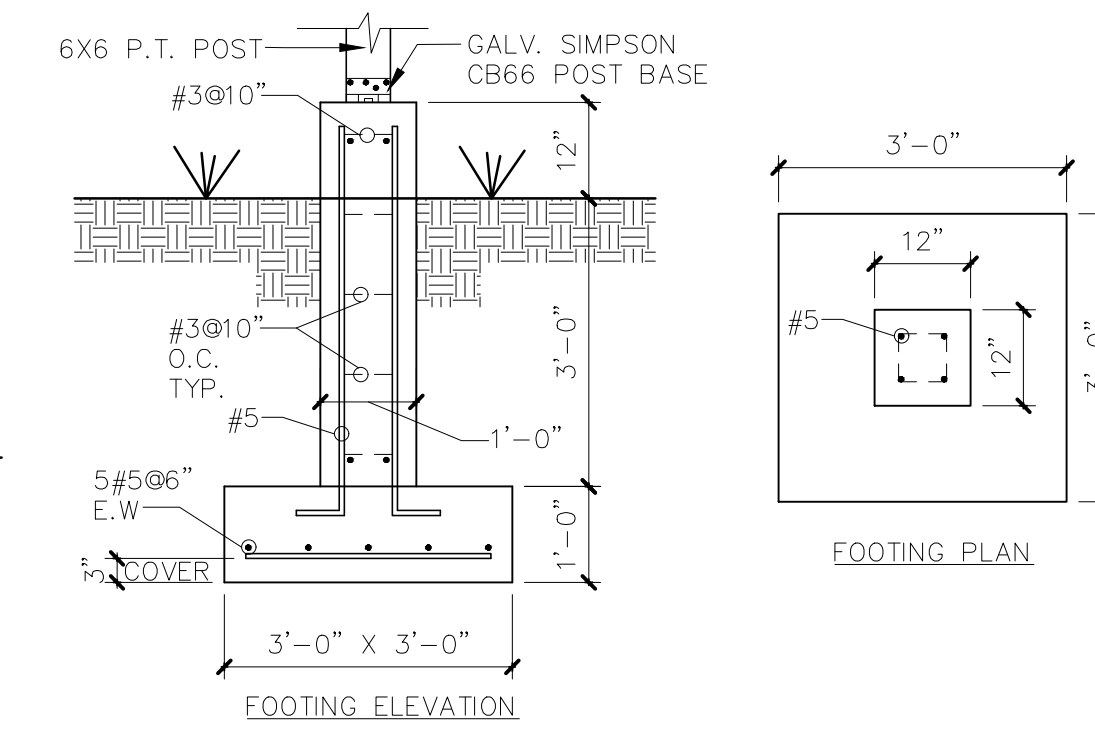
EXISTING REAR ELEVATION-NEW EGRESS STAIR
SCALE 1/4"=1'-0"



1 SPLICE DETAIL
SCALE 1/2"=1'-0"



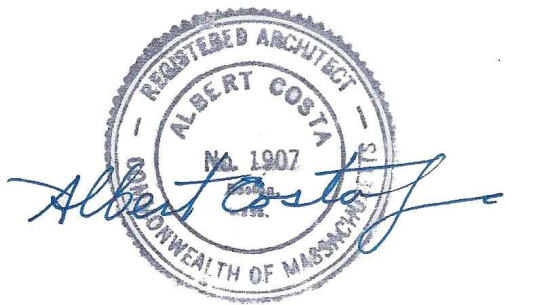
2 RAIL POST CONNECTION DETAIL
SCALE 1/2"=1'-0"



3 FOOTING DETAILS
SCALE 1/2"=1'-0"



681 MAIN STREET
WALTHAM, MA 02451
TEL./FAX: 781-647-5831



Job Number: 00019

Scale: 1/4" = 1'-0"

Date: 3-31-19

Revisions:

EXISTING RIGHT AND REAR
ELEVATIONS - NEW EGRESS
STAIRS, DETAILS 1, 2 & 3

Drawing

A-3