

GENERAL LEGEND - OPEN SPACE

- P.L.** Property Line
- L.L.O.W.** Landscape Limit of Work
- Existing Stormwater Systems, Below, Refer to Roadway Dwgs
- PB-X** Plant Bed, Refer to L5.00 Series
- MH** Manhole
- CB-PB** Catch Basin - Plant Bed
- CB** Catch Basin
- FH** Fire Hydrant
- EP** Event Power
- LP-FLD** Light Pole - Field
- LL** Light Lantern
- Trash/Recycling Receptacle Location
- Bollards
- Movable Furniture
- Stone Boulder
- 6' Tall Chainlink Fence
- Detectable Warning Pavers
- Bike Rack

MATERIALS LEGEND - OPEN SPACE

- 1.00 SITE DETAILS - PAVEMENT AND SURFACING**
- (1.01) Exposed Aggregate Concrete Pavement, See L2.02 for CJ/EJ Layout
 - (1.02) Synthetic Surfacing
 - (1.03) Street Curb, Refer to Civil Engineer Dwgs
- 2.00 SITE DETAILS - STONE**
- (2.01) Stone Boulder - Type A
 - (2.02) Stone Boulder - Type B
- 3.00 SITE DETAILS - SITE FURNITURE**
- (3.01) Wood Bench
 - (3.02) Trash and Recycling Receptacles
 - (3.03) Bollard
 - (3.04) Bike Rack
- 4.00 SITE DETAILS - MISCELLANEOUS**
- (4.01) 6' Tall Chainlink Fence
 - (4.02) Netting Screen
 - (4.03) Detectable Warning Pavers
 - (4.04) Light Pole - Field
 - (4.05) Light Lantern

PLANTING SCHEDULE - OPEN SPACE (All plant beds shall be irrigated with drip soaker lines)

DECIDUOUS TREES

KEY	BOTANICAL NAME	COMMON NAME	QTY.	SIZE	ROOT	RB DIA.	NOTES
ZS	<i>Zelkova serrata</i> "Wireless"	Wireless Zelkova	21	4-4.5' cal.	B&B	45-50"	Limbed Up 7'-0" MIN.
GD	<i>Gymnocladus dioica</i> "Espresso"	Espresso Kentucky Coffee Tree	22	4-4.5' cal.	B&B	45-50"	Limbed Up 7'-0" MIN.

UNDERSTORY TREES

KEY	BOTANICAL NAME	COMMON NAME	QTY.	SIZE	ROOT	RB DIA.	NOTES
AA	<i>Amelanchier arborea</i>	Shadbush	13	2-2.5' cal.	B&B		Single Stem Limbed up 4'-0" MIN.
HI	<i>Hamelis intermedia</i> "Arnold Promise"	Witchhazel	7	6-8' HT.	B&B		Multistem, 3 Trunks MIN.

SHRUBS

KEY	BOTANICAL NAME	COMMON NAME	QTY.	SIZE	ROOT	RB DIA.	NOTES
SH	<i>Hydrangea quercifolia</i>	Oakleaf Hydrangea	20	4-5' HT.	B&B		
SH	<i>Ilex verticillata</i>	Winterberry Holly	20	4-5' HT.	B&B		
SH	<i>Lindera glauca</i>	Greyblue Spicebush	30	4-5' HT.	B&B		
SH	<i>Viburnum x rhytidophylloides</i> "Alleghany"	Lantanaphyllum Viburnum	30	4-5' HT.	B&B		

GROUNDCOVER

KEY	BOTANICAL NAME	COMMON NAME	QTY.	SIZE	ROOT	NOTES
CoP	<i>Carex pensylvanica</i>	Pennsylvania Sedge	930	1 qt.	CONT.	8" O.C. Spacing, Groups of 5-10
DP	<i>Dennstaedtia punctilobula</i>	Hay-Scented Fern	100	1 gal.	CONT.	18" O.C. Spacing, Groups of 3-5
DM	<i>Dryopteris marginalis</i>	Leatherwood Fern	100	1 gal.	CONT.	18" O.C. Spacing, Groups of 3-5
HF	<i>Hemerocallis fulva</i>	Tiger Daylily	300	1 gal.	CONT.	12" O.C. Spacing, Groups of 3-5
HP	<i>Hosta plantaginea</i>	Plantain Lily	165	1 gal.	CONT.	12" O.C. Spacing, Groups of 3-5
HR	<i>Hosta 'Royal Standard'</i>	Royal Standard Plantain Lily	165	1 gal.	CONT.	12" O.C. Spacing, Groups of 3-5
VA	<i>Vaccinium angustifolium</i>	Lowbush Blueberry	995	1 gal.	CONT.	6" O.C. Spacing, Groups of 5-10

BULBS

KEY	BOTANICAL NAME	COMMON NAME	QTY.	SIZE	ROOT	NOTES
GN	<i>Galanthus nivalis</i>	Common Snowdrop	500	Bulbs		Groups of 10-20
NH	<i>Narcissus "Hawera"</i>	Hawera Daffodil	500	Bulbs		Groups of 5-10
NM	<i>Narcissus "Mount Hood"</i>	Mount Hood Daffodil	500	Bulbs		Groups of 5-10
NP	<i>Narcissus "Polar Ice"</i>	Polar Ice Daffodil	500	Bulbs		Groups of 5-10

SEATING REQUIREMENTS - OPEN SPACE

TOTAL SEATING 492 L.F. of Seating Required (30 L.F. / SQ.F.)

492 L.F. of Seating Provided

SEATWALL 74 L.F. (15%) Required

74 L.F. Provided

BENCHES AND CHAIRS 418 L.F. (85%) Required

418 L.F. Provided

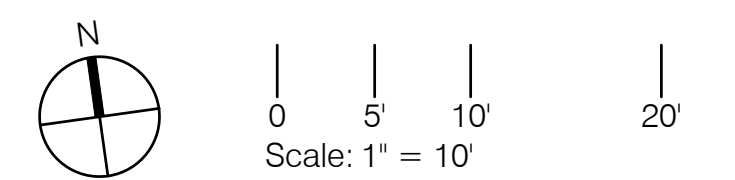
a. 226 L.F. of Benches Provided, 113 L.F. (50%) Backless Bench, 113 L.F. (50%) Benches with Back

b. 192 L.F. of Chair Seating (96 Chairs) Provided

Stamp

NOT FOR CONSTRUCTION

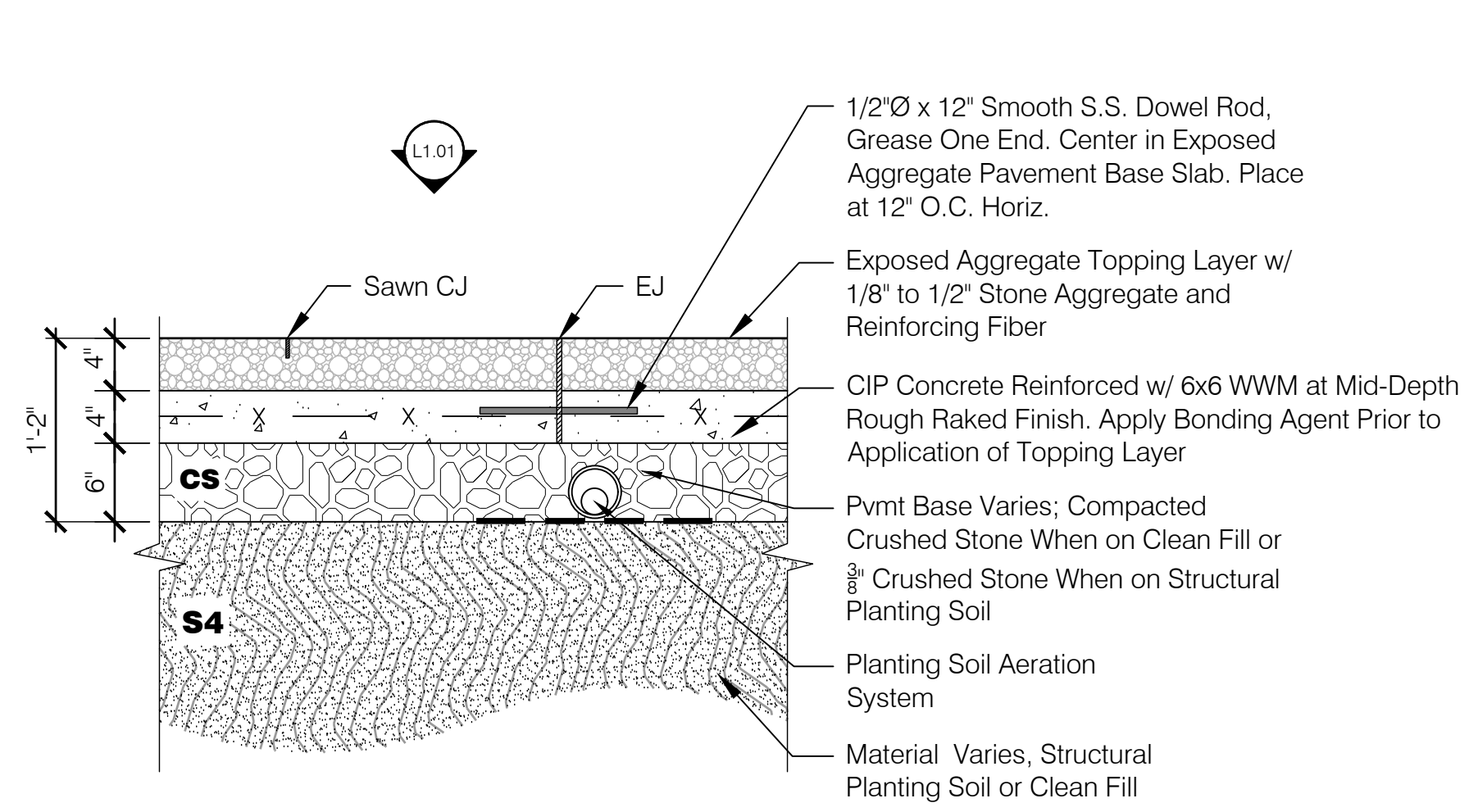
Revisions		
No.	Description	Date



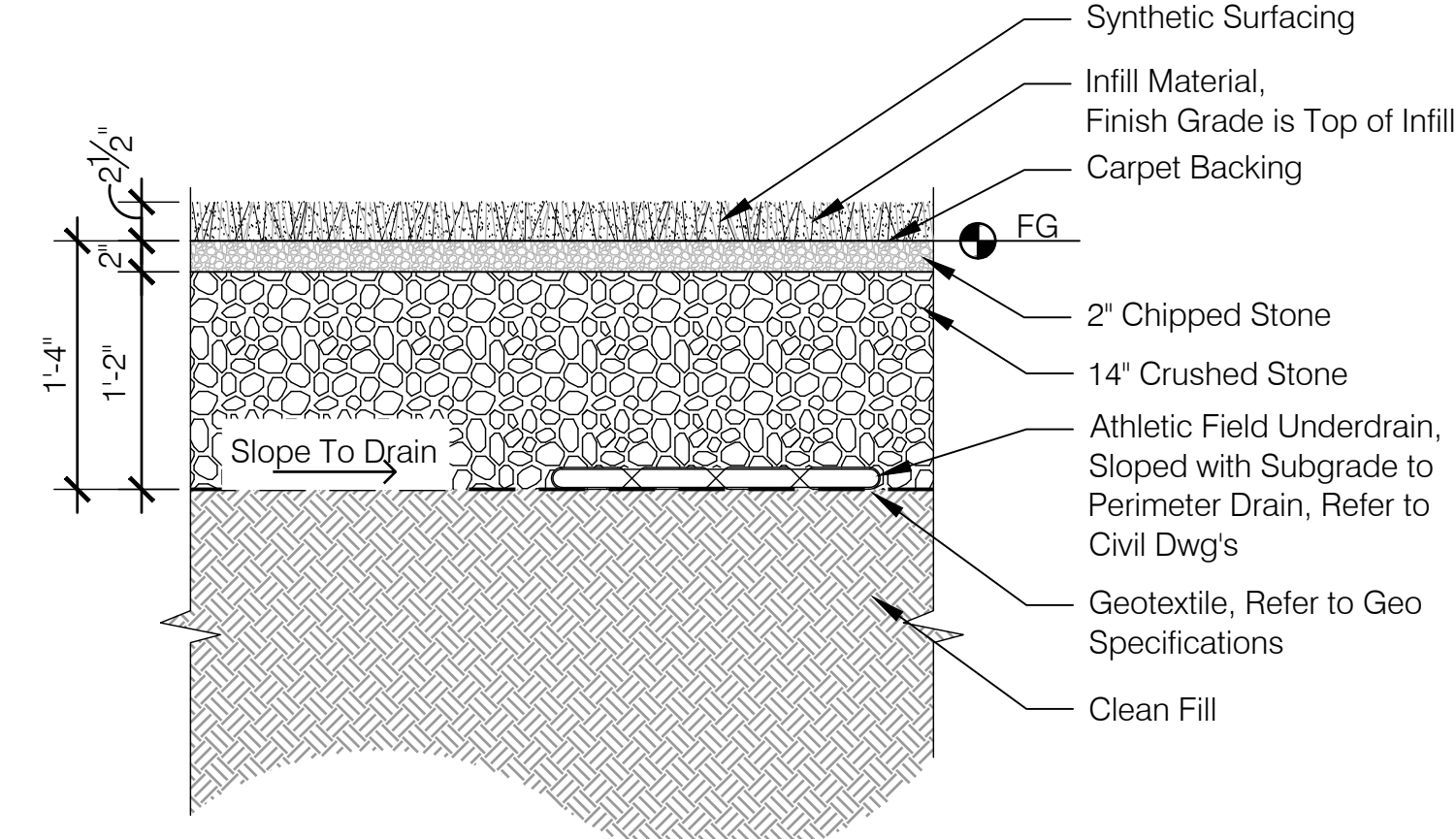
Drawing Title

Layout Materials and Grading Plan

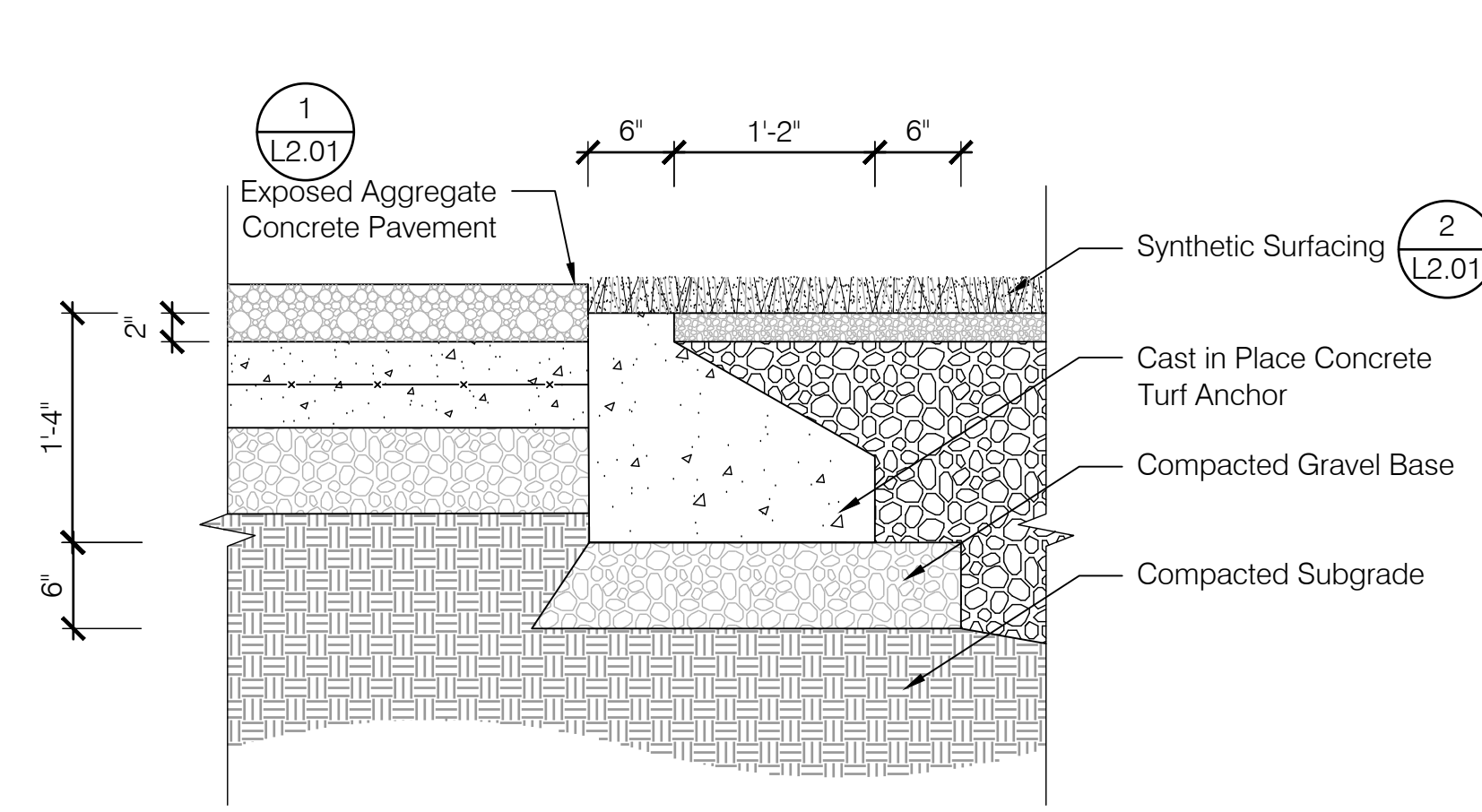
Job Number 15039.04 Drawing No. **L1.01**
 Drawn by MVA
 Checked by MVA
 Date 05 October 2017
 Scale



1 Exposed Aggregate Concrete Pavement
Scale: 1"=1'-0" Detail



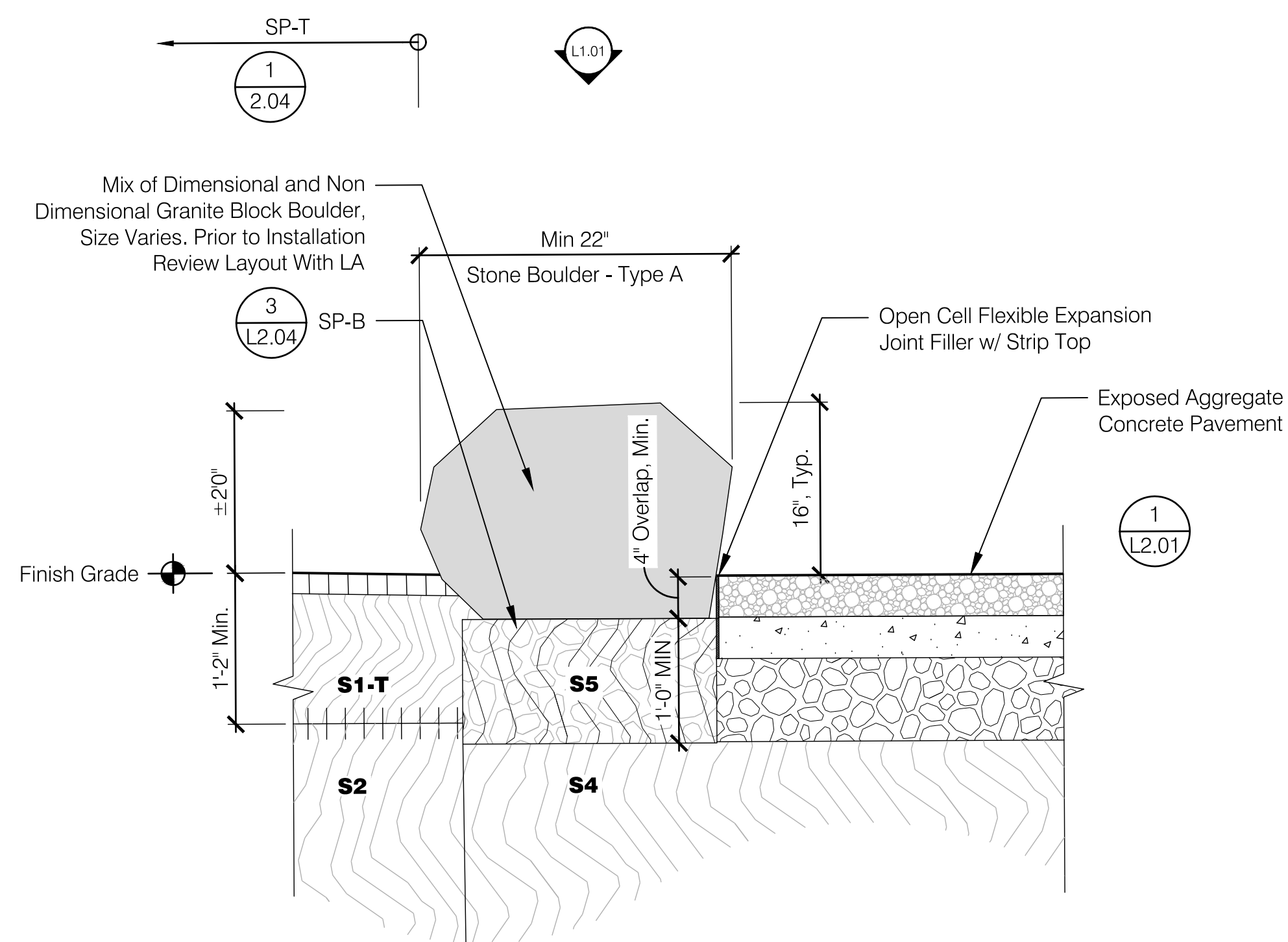
2 Synthetic Surfacing
Scale: 1"=1'-0" Detail



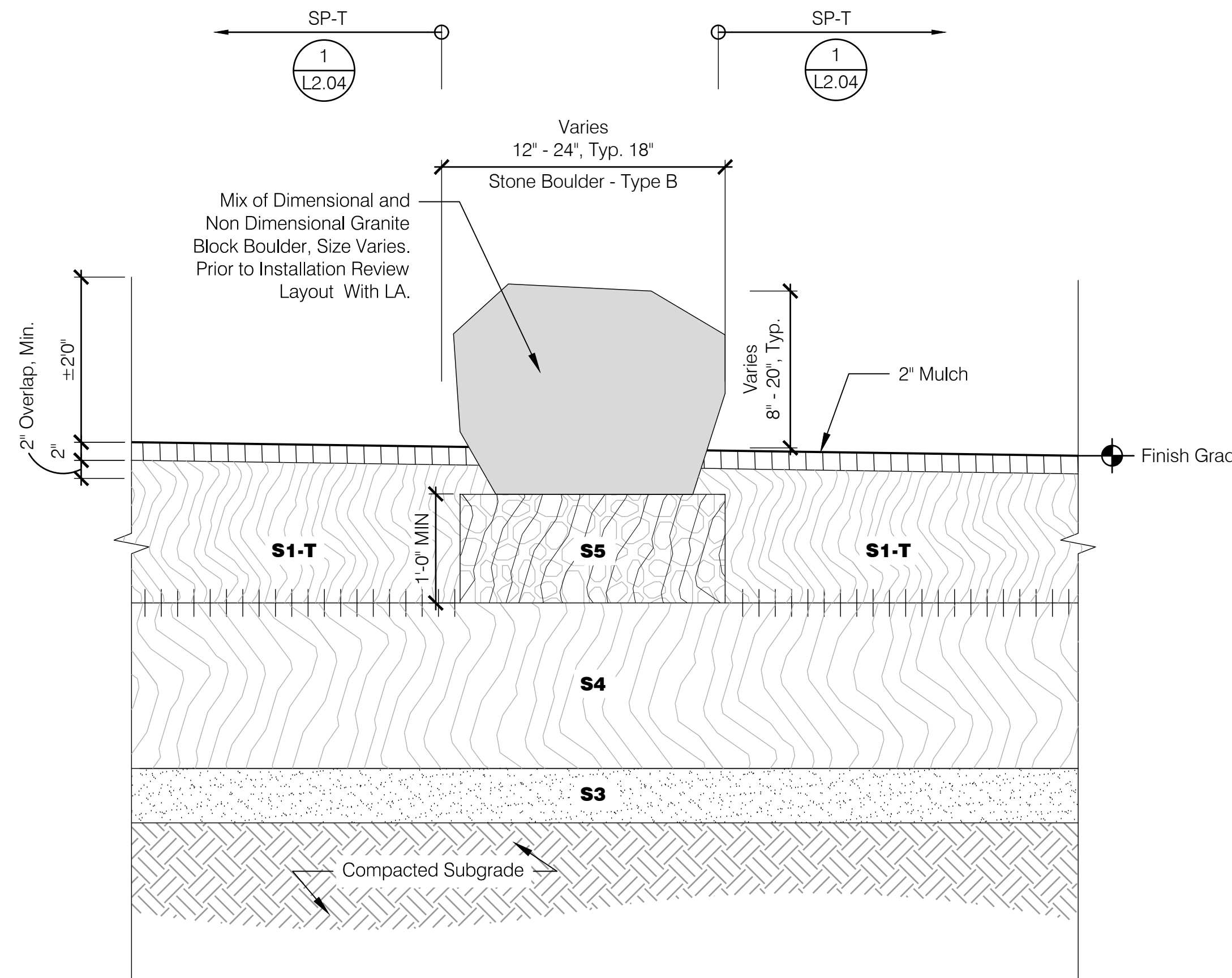
3 Anchor
Scale: 1"=1'-0" Detail

NOTE:

- Concrete Edge to be Formed Prior to Placement of Stone at Exposed Aggregate Concrete Pavement



3 Stone Boulder - Type A
Scale: 1"=1'-0" Detail



4 Stone Boulder - Type B
Scale: 1"=1'-0" Detail



5 Detectable Warning Strip
Scale: NTS Detail

Stamp

NOT FOR CONSTRUCTION

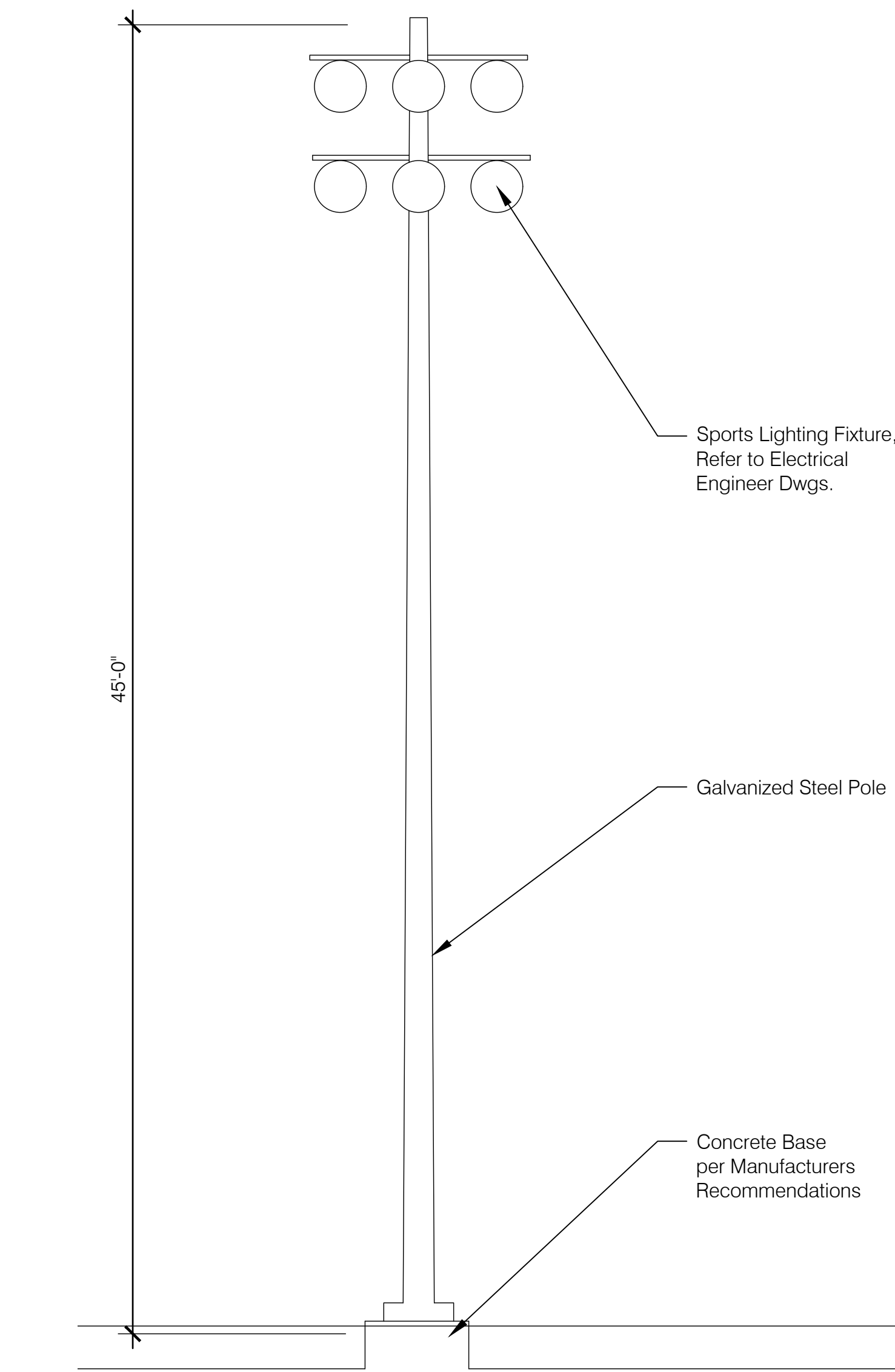
Revisions No.	Description	Date

Scale: As Noted

Drawing Title

Site Details - Pavement, Surfacing and Stone

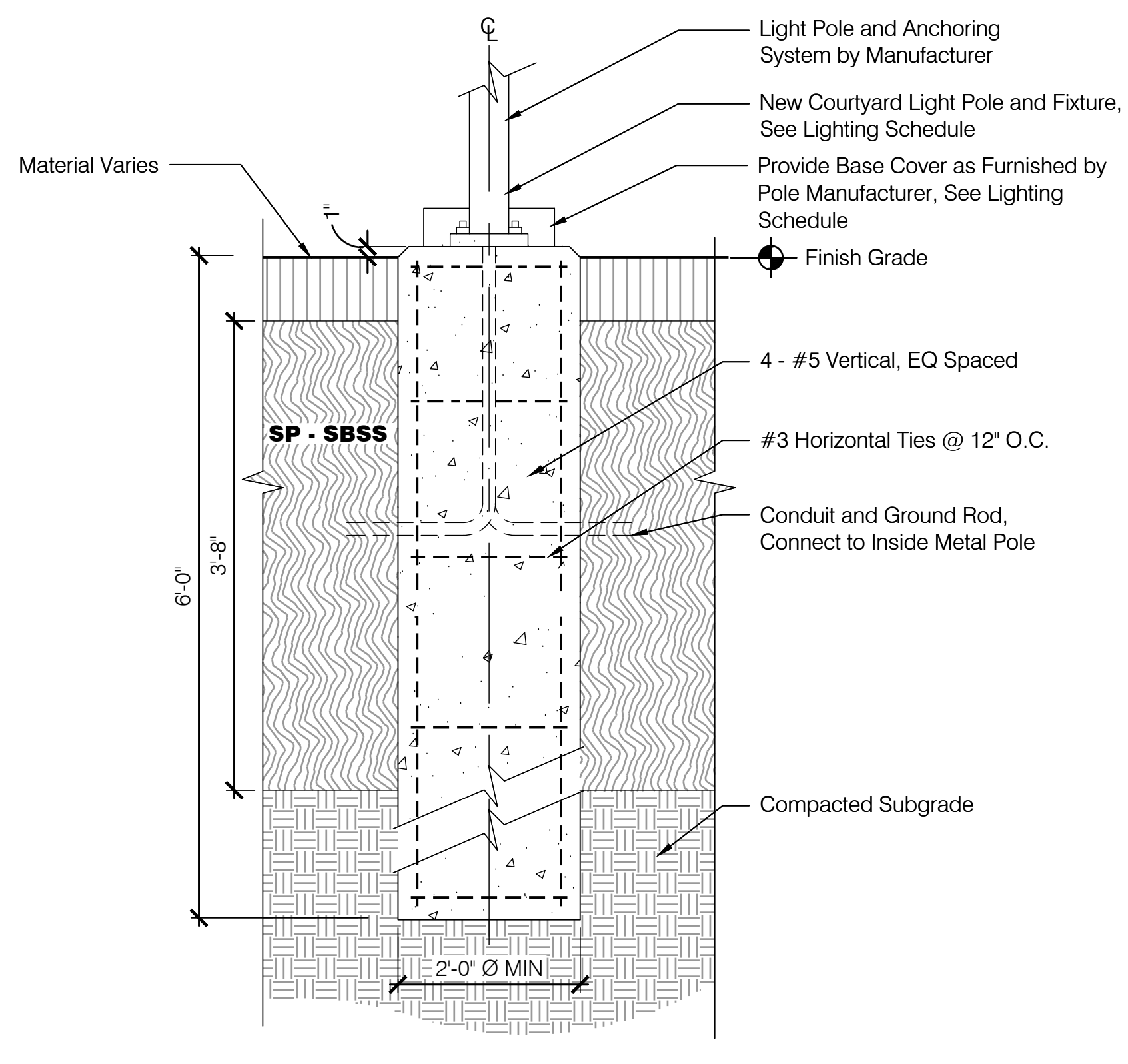
Job Number 15039.04 Drawing No. L2.01
Drawn by MVA
Checked by MVA
Date 05 October 2017
Scale



A Elevation
1/4" = 1'-0"



B Fixture
NTS



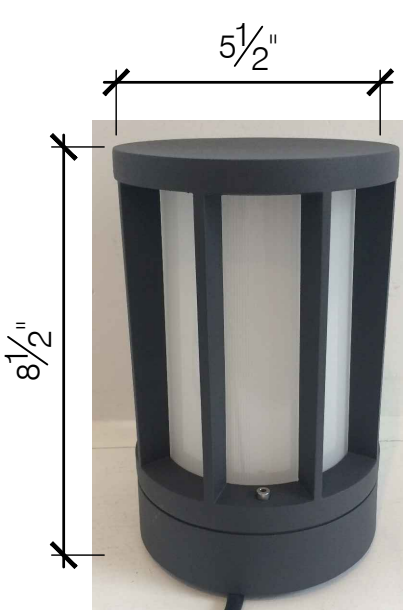
C Foundation
1" = 1'-0"

Section

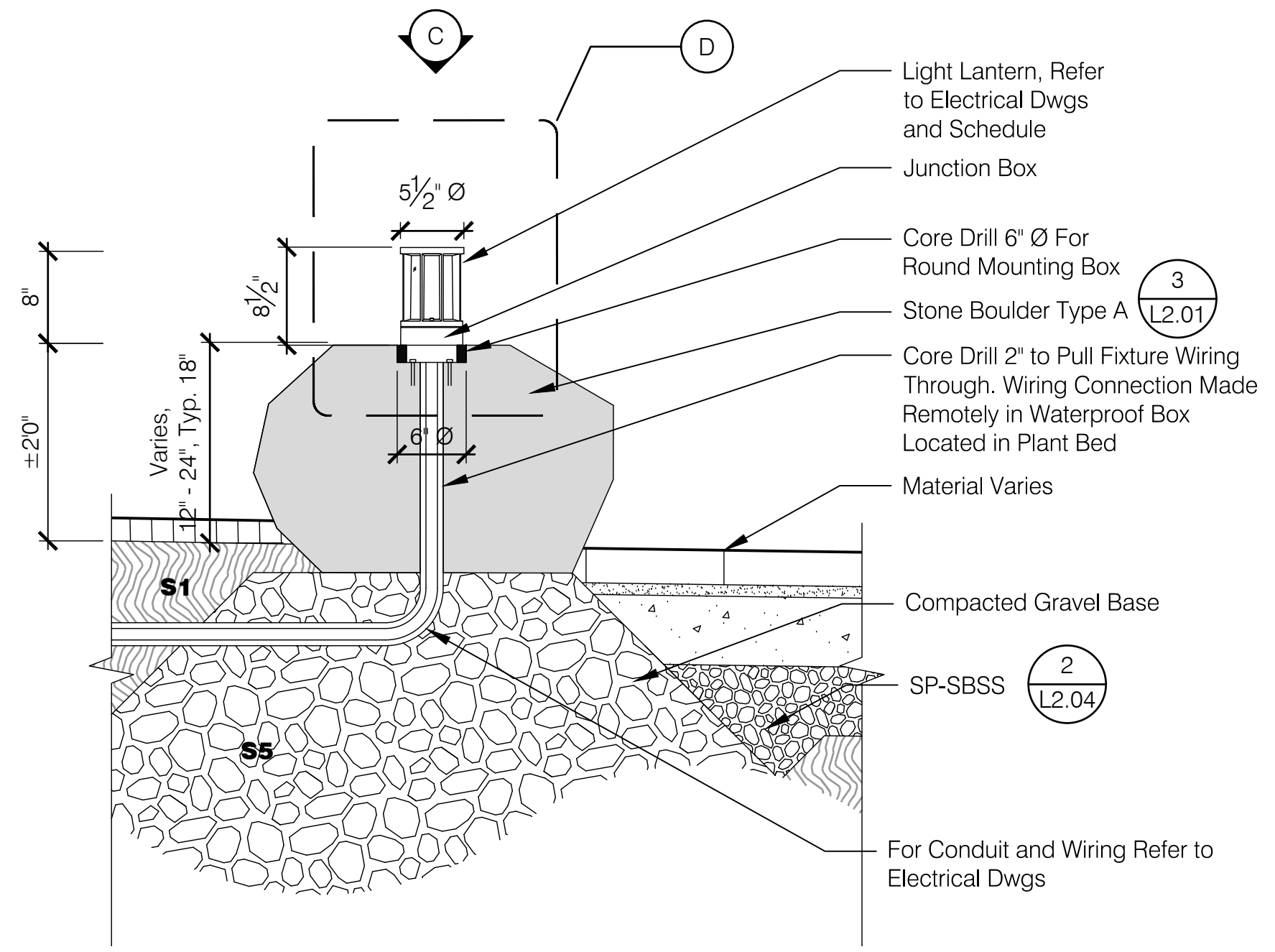
1 Light Pole - Field (LP-FLD)
Scale: As Noted

Notes:

- Landscape Architect Shall Select Reclaimed Stones Provided By Owner to Core Drill for Lantern Fixtures. Stone Shall Be Pre-Drilled Prior to Placement
- Landscape Architect Shall Review Layout of Conduit In The Field Prior to Installation to Locate Light Lanterns.

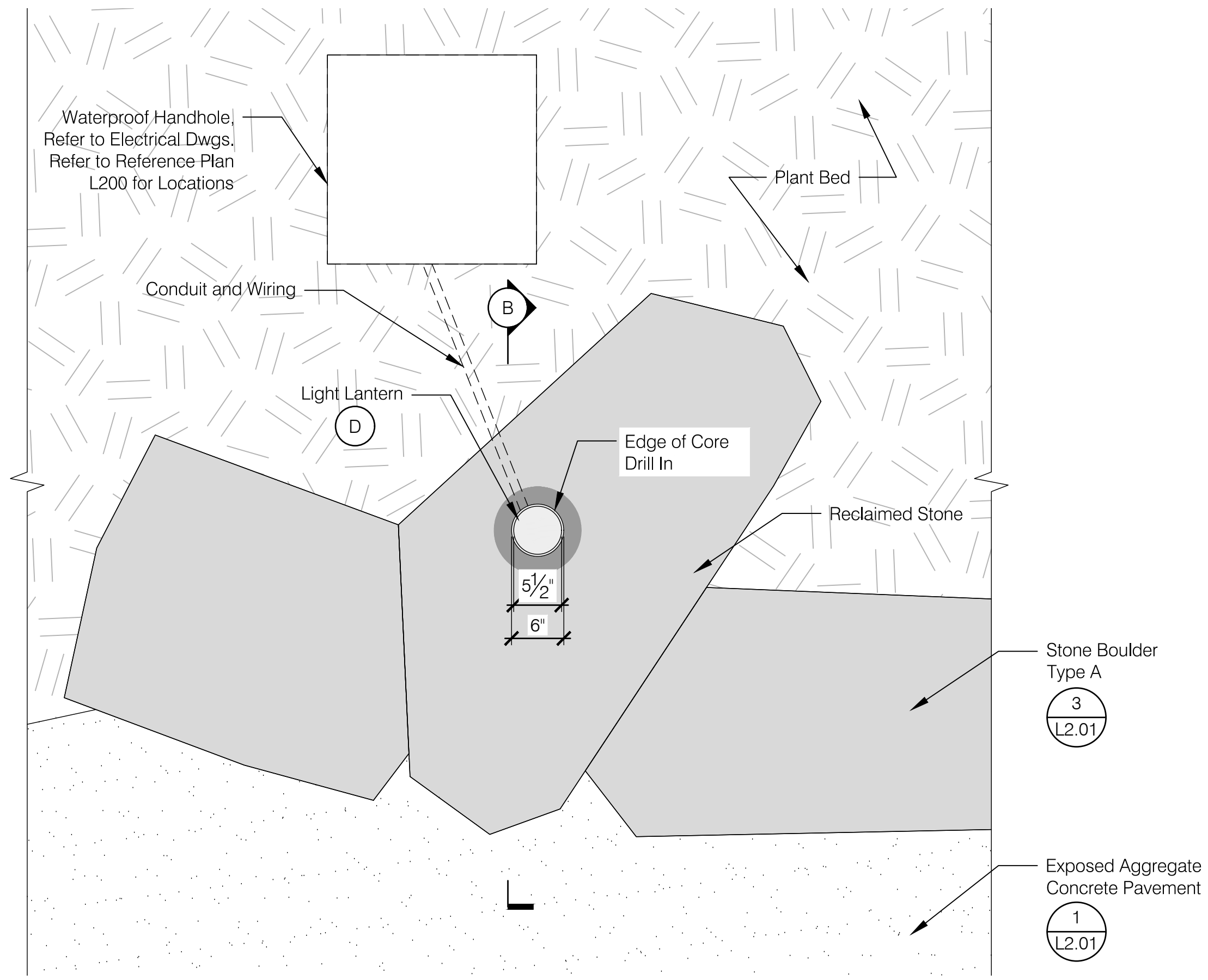


A Image
NTS

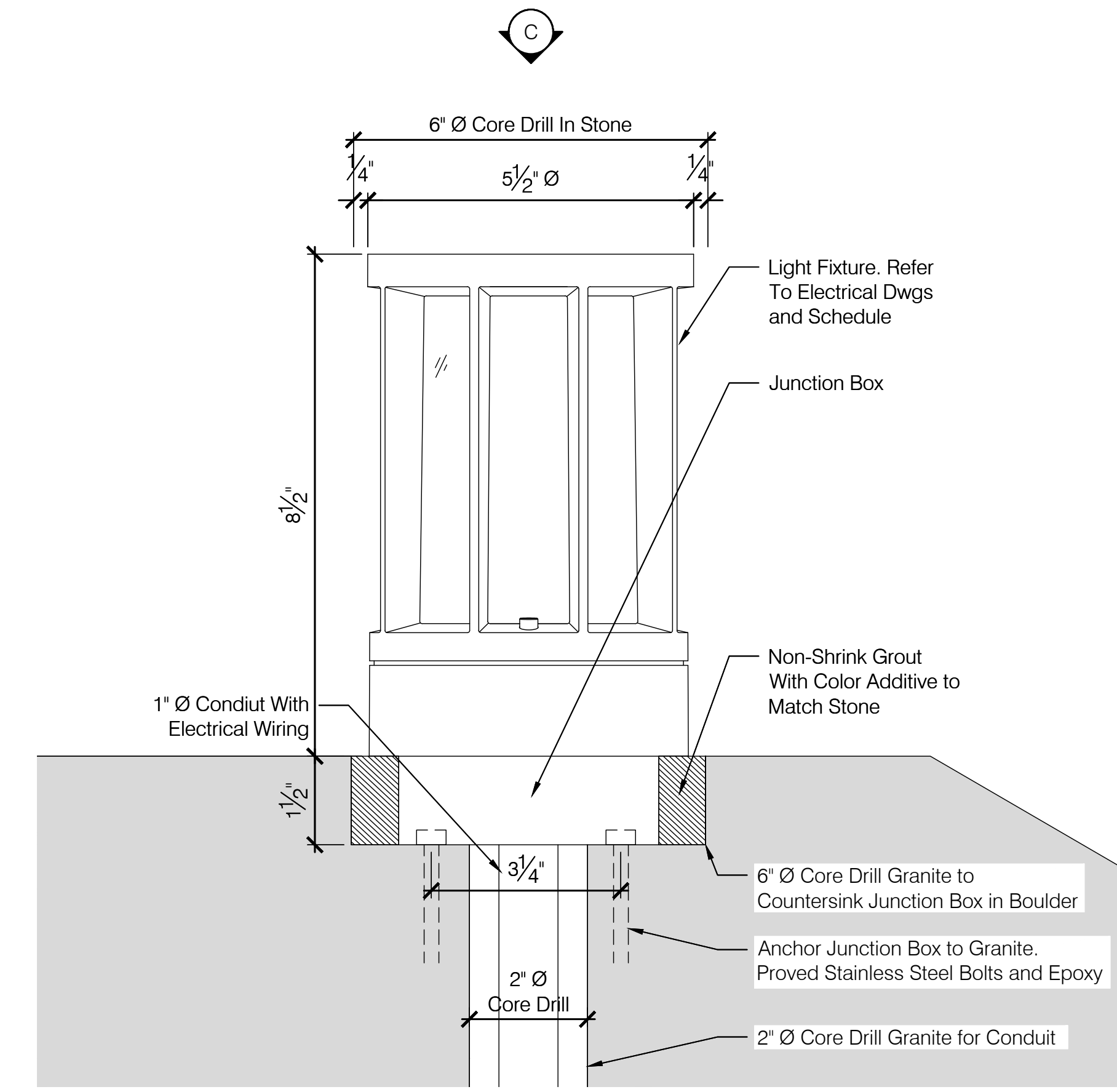


B Lantern Light Foundation
1" = 1'-0"

Detail



C Plan
1" = 1'-0"



D Lantern Light Foundation
6" = 1'-0"

2 Light Lantern (LL)
Scale: As Noted

Stamp

NOT FOR CONSTRUCTION

Revisions No.	Description	Date

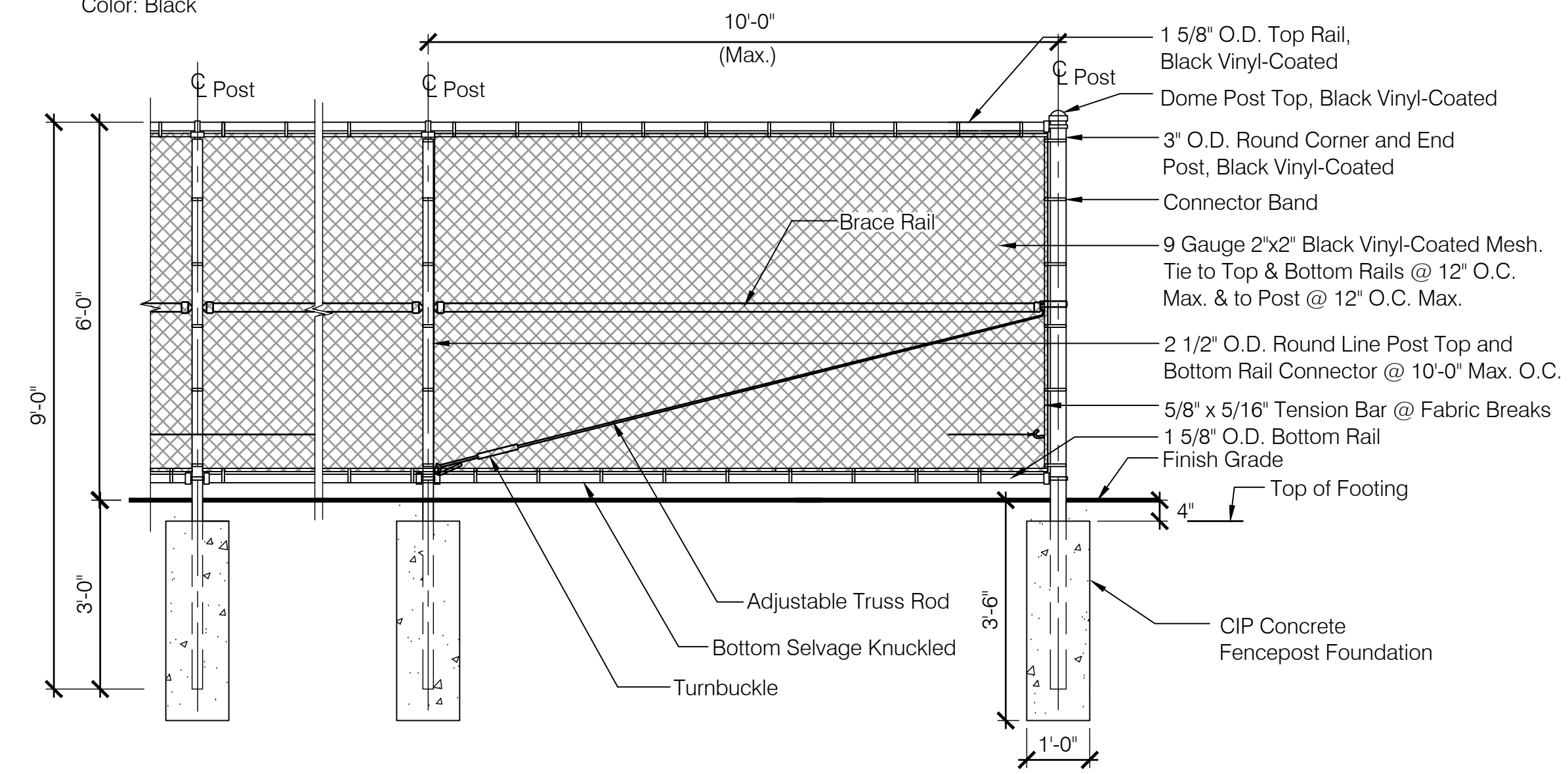
Scale: As Noted

Drawing Title

Site Details

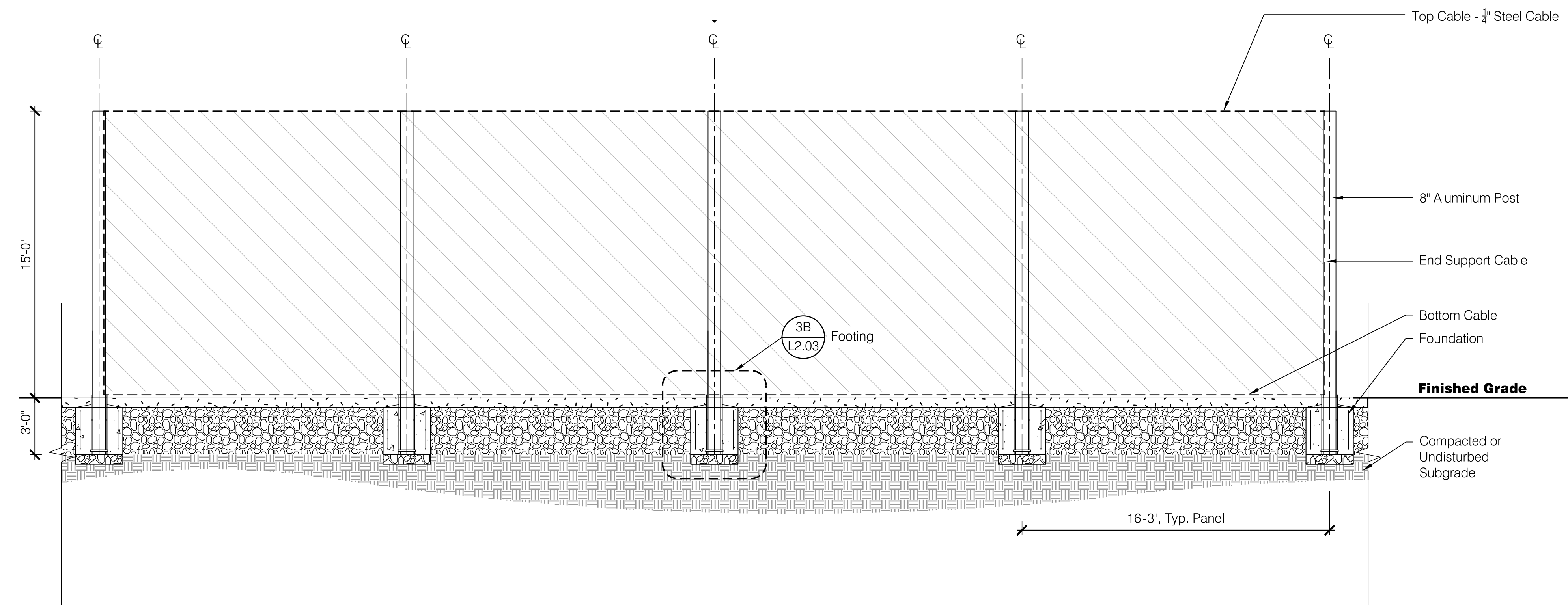
Job Number	15039.04	Drawing No.	L2.02
Drawn by	MVA	Checked	MVA
Checked	MVA	Date	05 October 2017
Date	05 October 2017	Scale	

NOTE:
All Gate Components to Be HDG and Covered with a Fusion-Bonded Coating. Color: Black



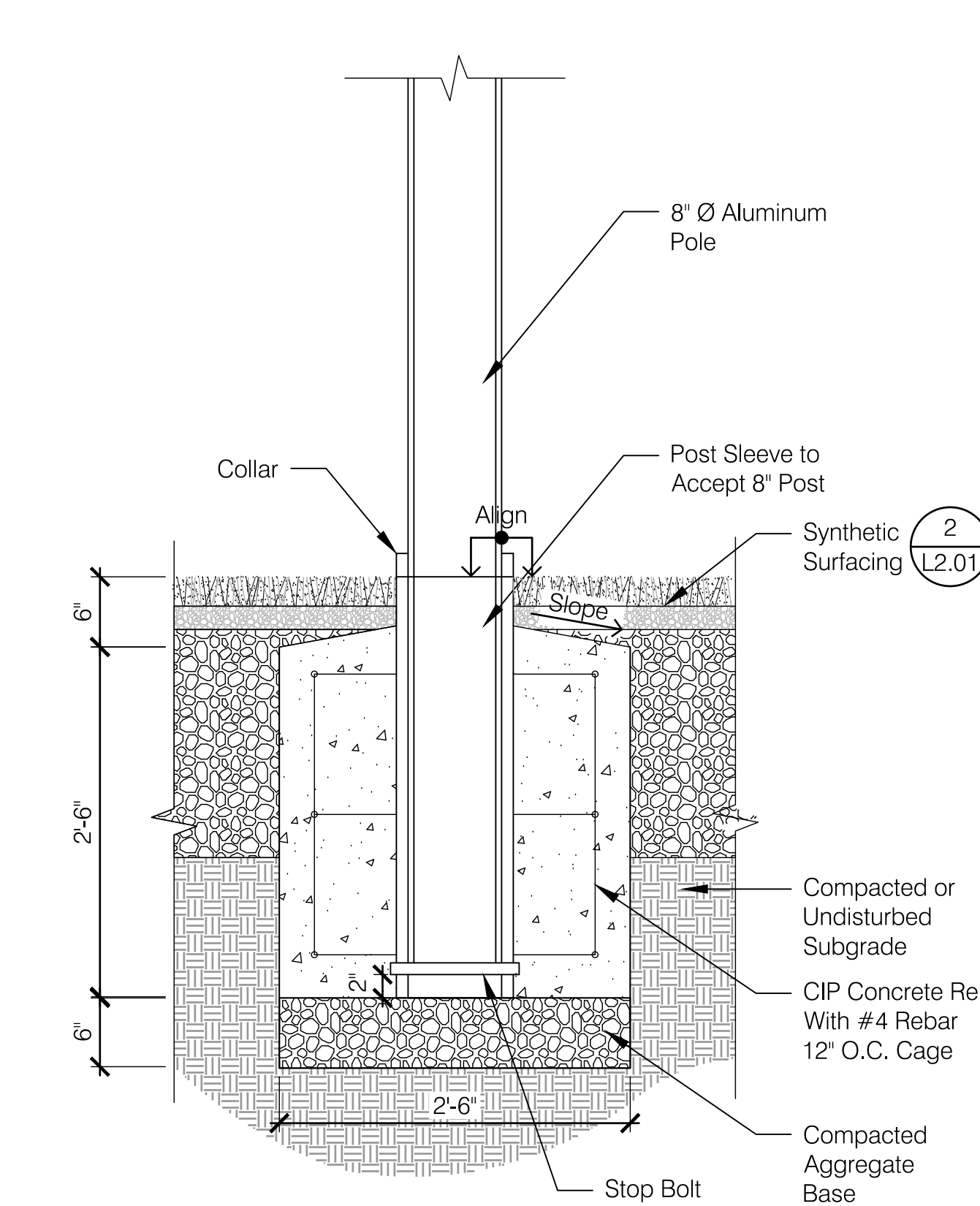
1 6' Tall Chain Link Fence
Scale: 1/2" = 1'-0"

Detail



A Elevation
1/4" = 1'-0"

2 Netting Screen



B Foundation
1" = 1'-0"

Detail

Stamp

NOT FOR CONSTRUCTION

Revisions No.	Description	Date

Scale: As Noted

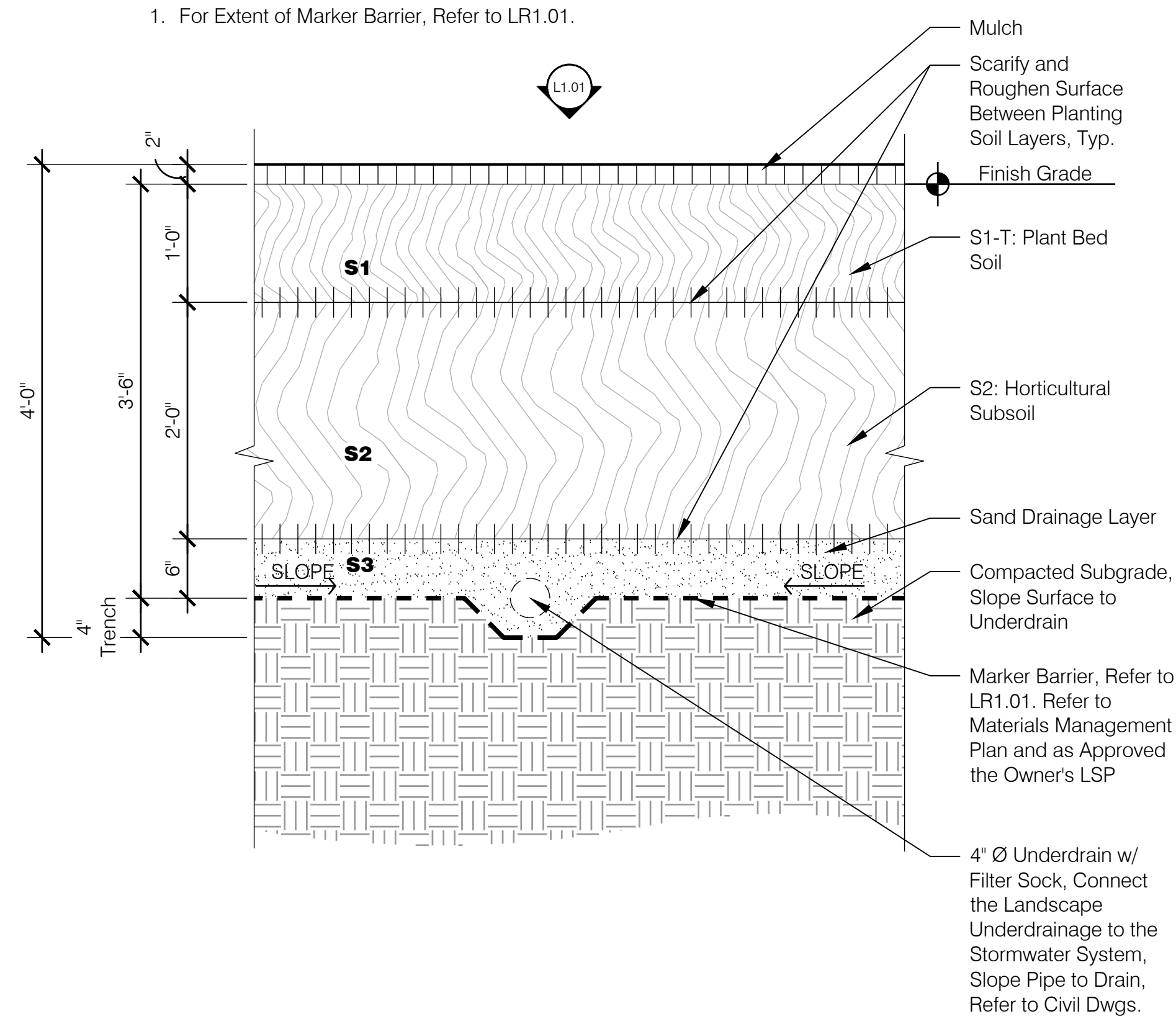
Drawing Title

Site Details - Fencing

Job Number 15039.04 Drawing No. L2.03
Drawn by MVA
Checked by MVA
Date 05 October 2017
Scale

Note:

1. For Extent of Marker Barrier, Refer to LR1.01.

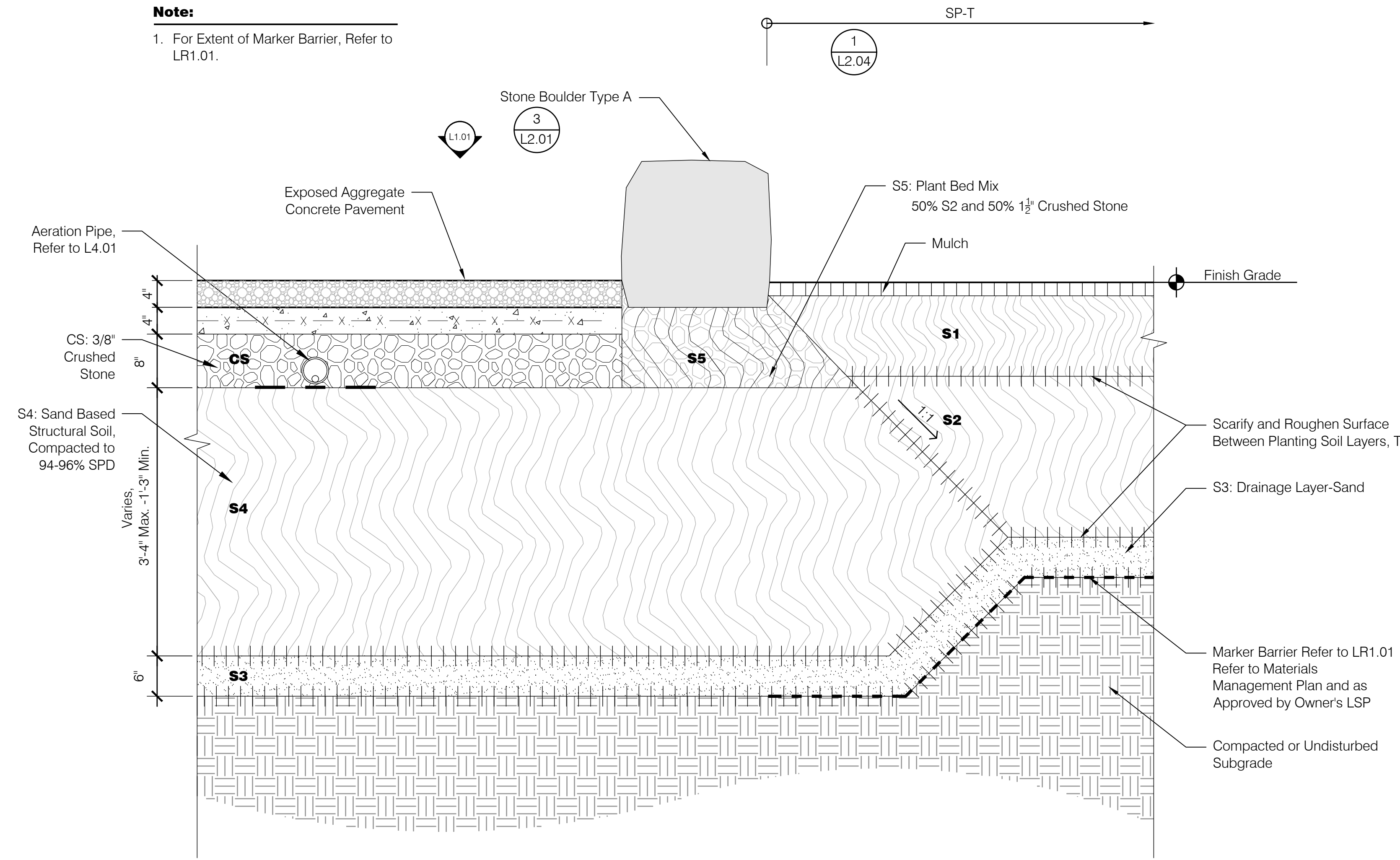


1 SP-T: Plant Bed With Trees
Scale: 1" = 1'-0"

Detail

Note:

1. For Extent of Marker Barrier, Refer to LR1.01.

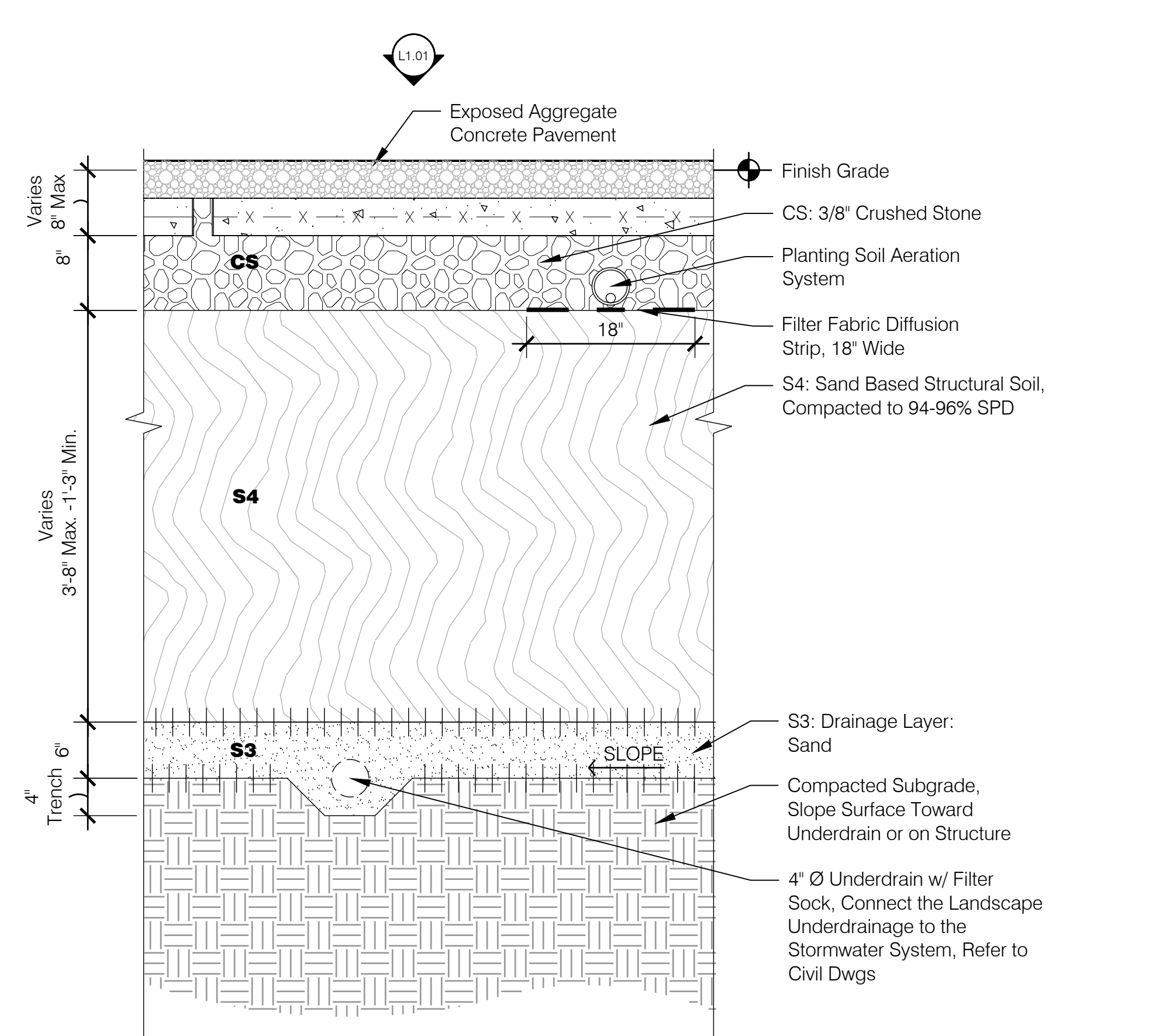


A SP-B At Stone Boulder Type A
Scale: 1" = 1'-0"

Detail

Note:

1. For Extent of Marker Barrier, Refer to LR1.01.

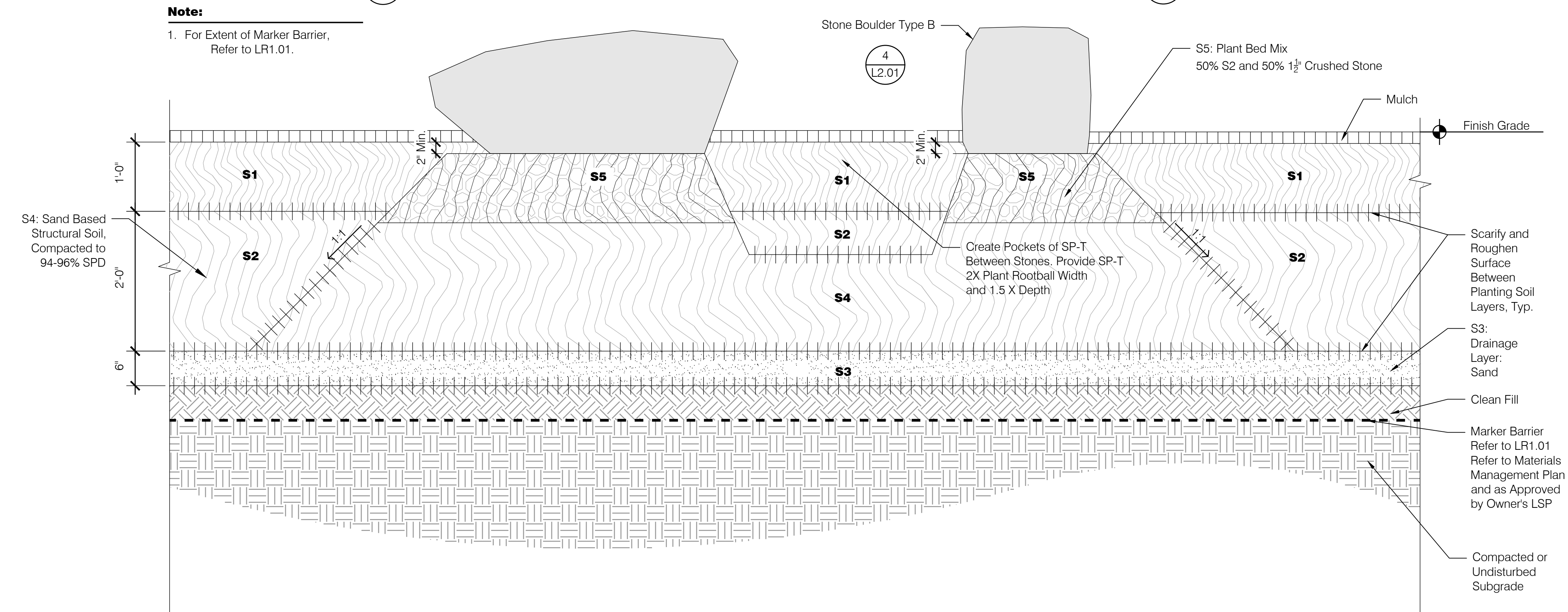


2 SP-SBSS: Sand Based Structural Soil
Scale: 1" = 1'-0"

Detail

Note:

1. For Extent of Marker Barrier, Refer to LR1.01.



B SP-B At Stone Boulder Type B
Scale: 1" = 1'-0"

Detail

3 SP-B: Boulder
Scale: As Noted

Stamp

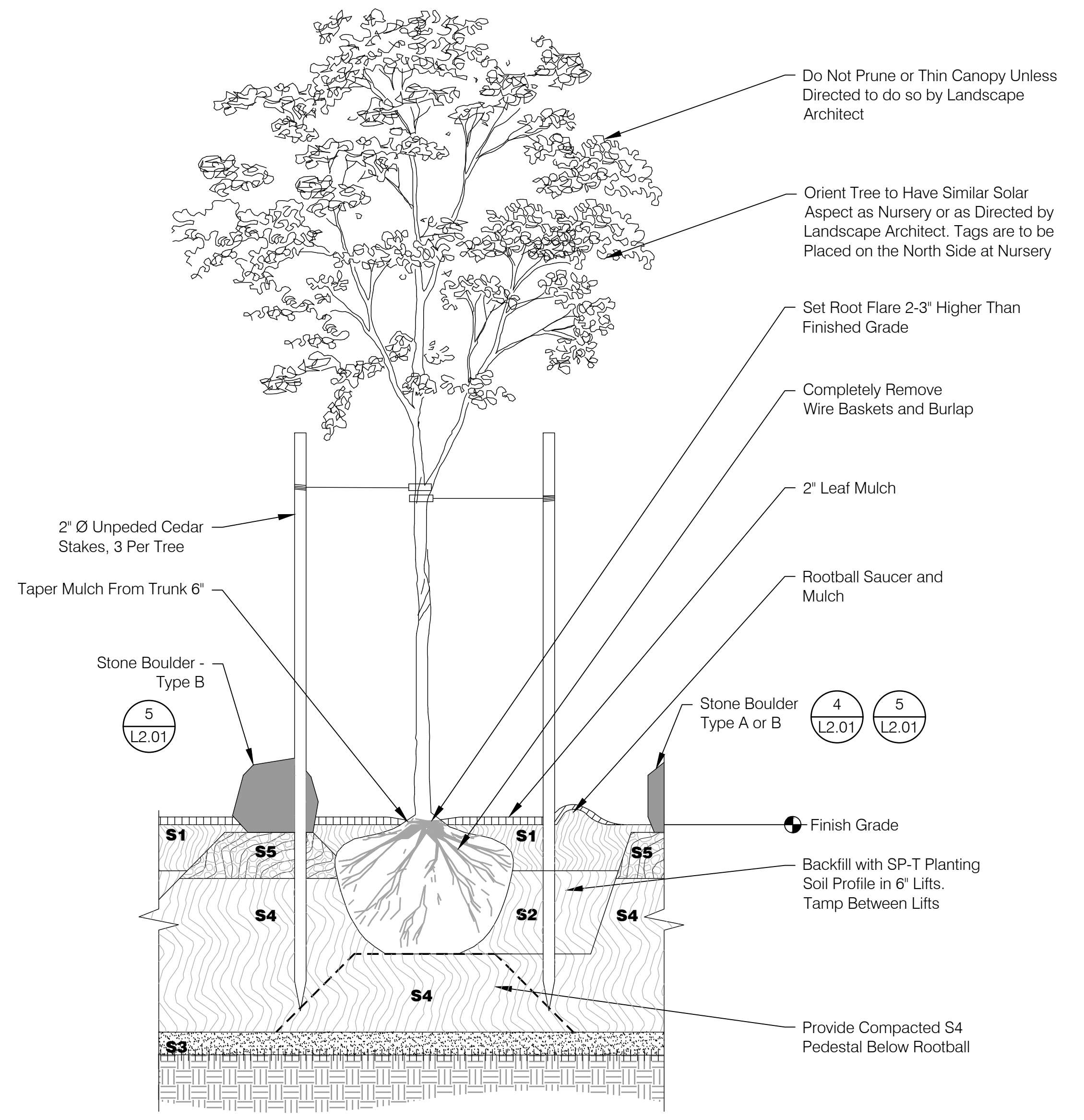
NOT FOR CONSTRUCTION

Revisions No.	Description	Date

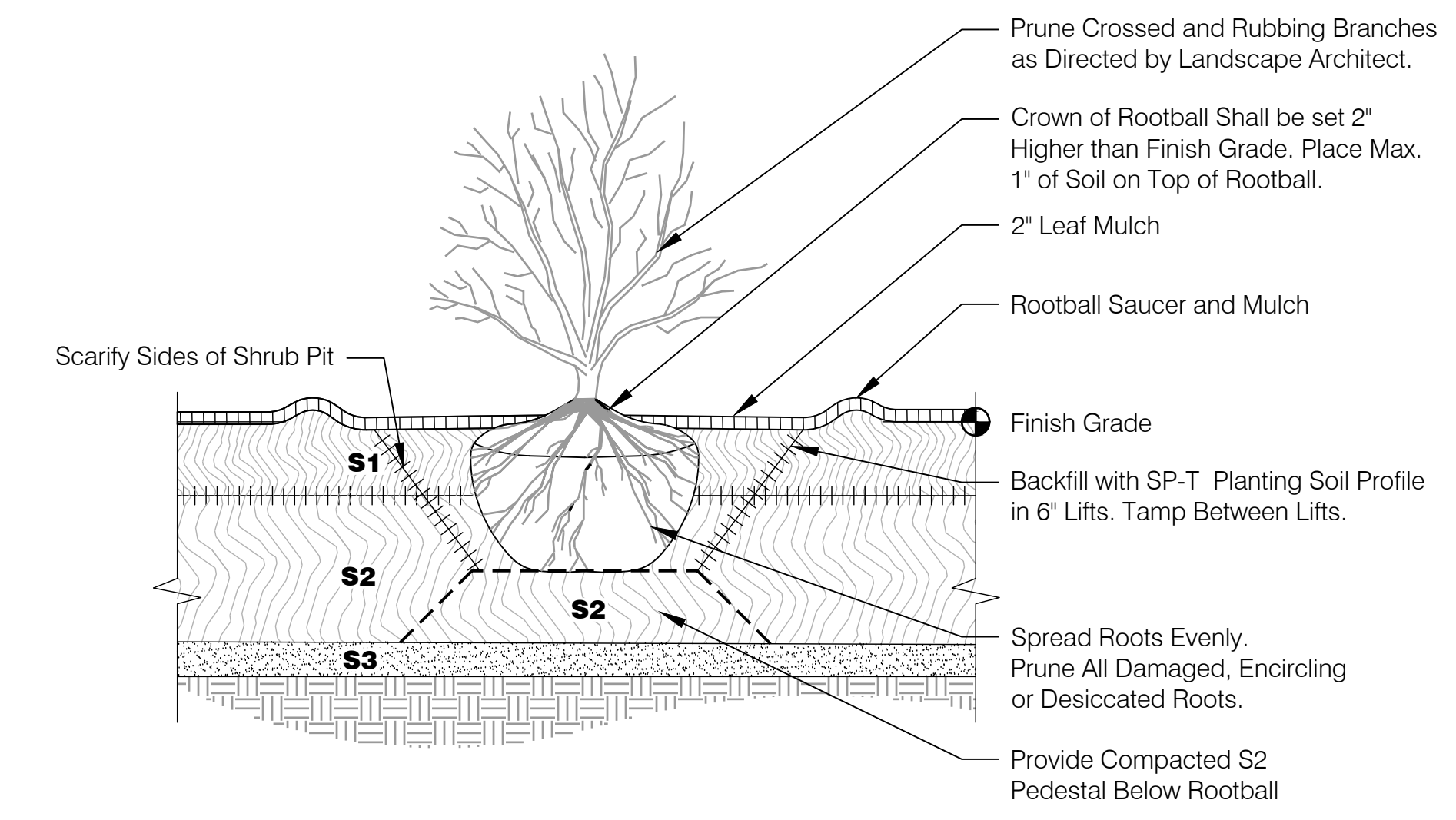
Scale: As Noted

Drawing Title

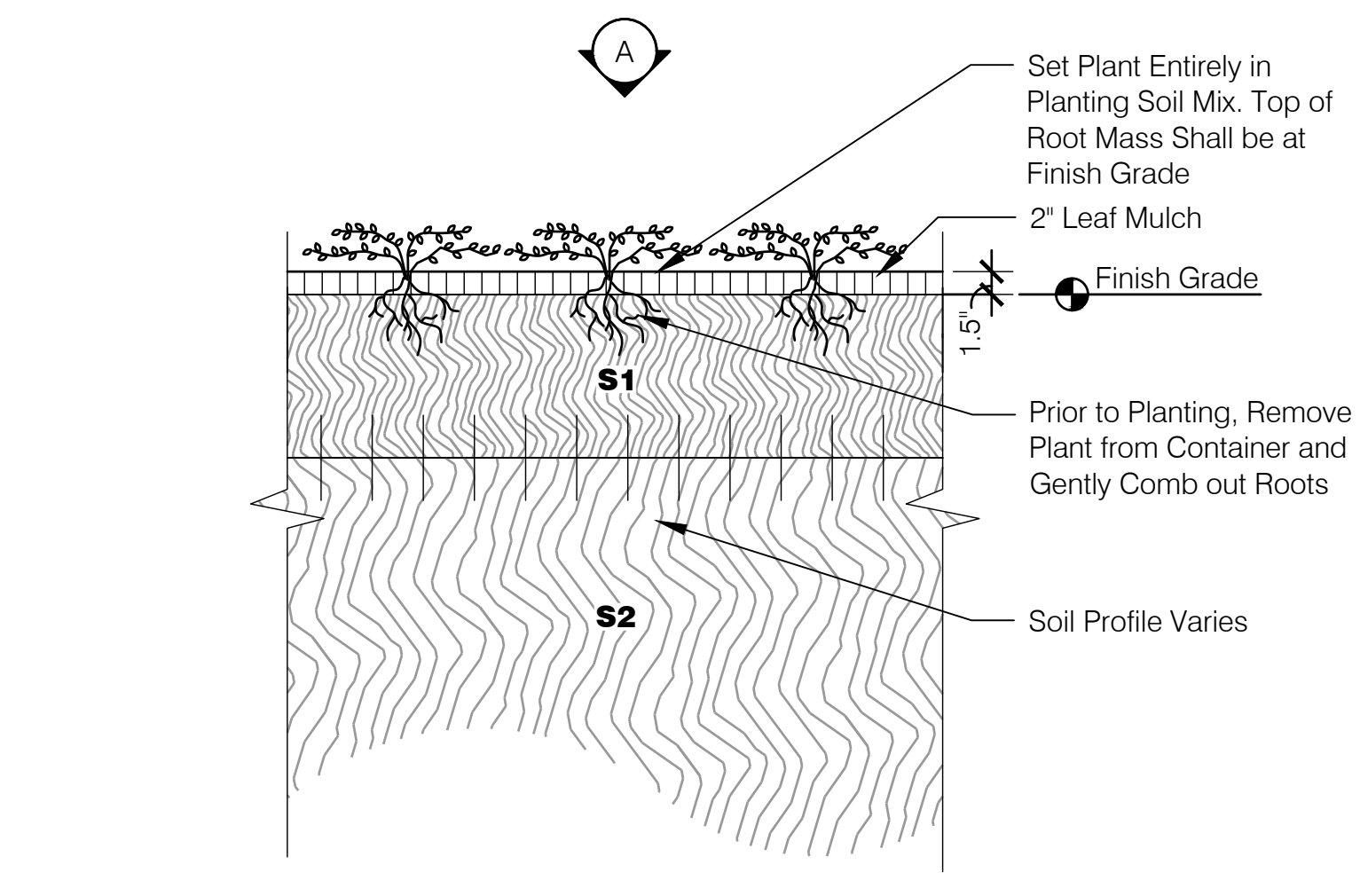
Planting Details



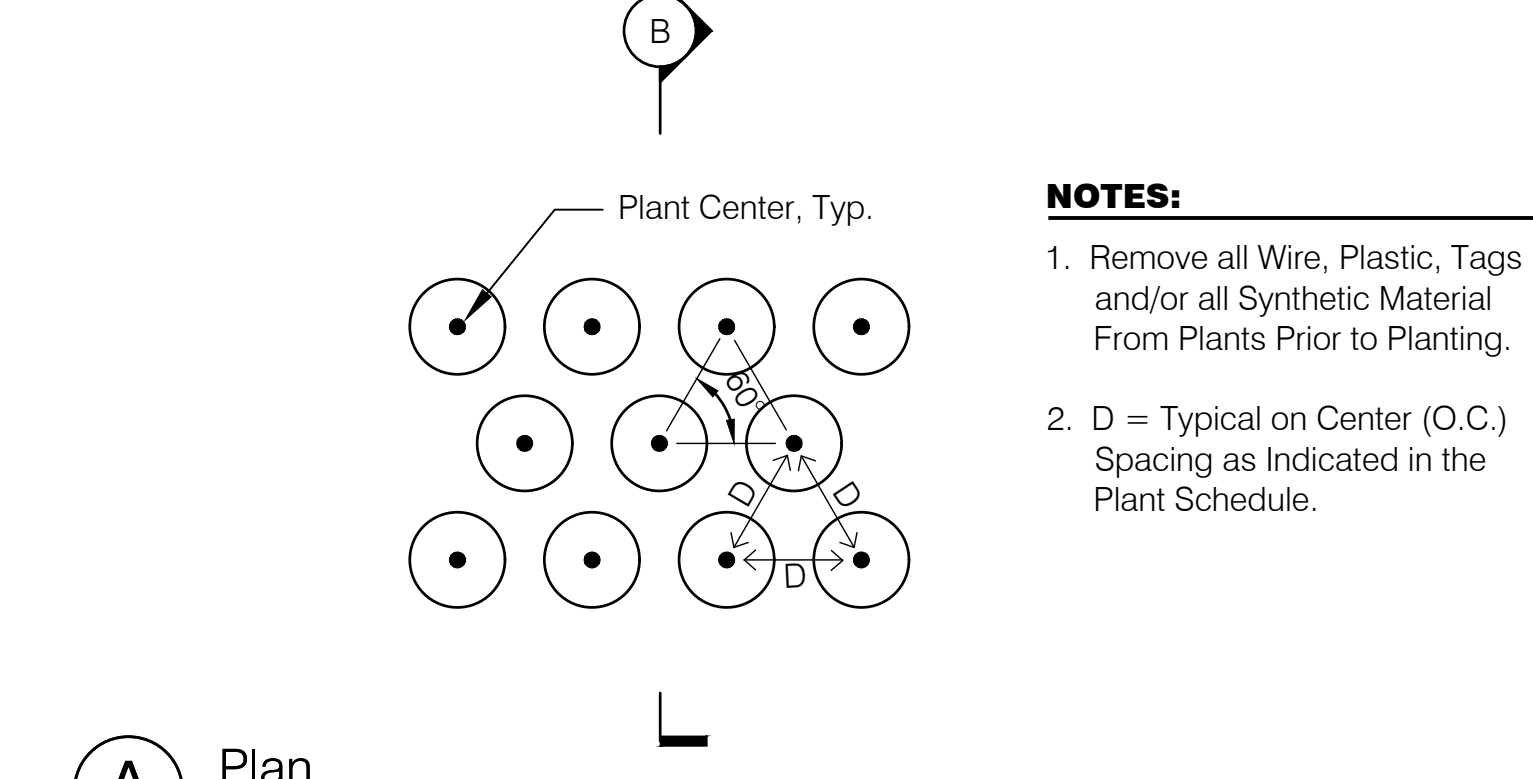
1 Single Stem Tree - In Plant Bed
Scale: 1/2"=1'-0" Detail



2 Shrub
Scale: 1/2"=1'-0" Detail



B Section
Scale: 1"=1'-0"



A Plan
Scale: 1"=1'-0"

3 Groundcover
Scale: As Noted

- NOTES:**
1. Remove all Wire, Plastic, Tags and/or all Synthetic Material From Plants Prior to Planting.
 2. D = Typical on Center (O.C.) Spacing as Indicated in the Plant Schedule.

Stamp

NOT FOR CONSTRUCTION

Revisions No.	Description	Date

Scale: As Noted

Drawing Title
Planting Details

Job Number 15039.04 Drawing No.
Drawn by MVA
Checked by MVA
Date 05 October 2017
Scale

L2.05



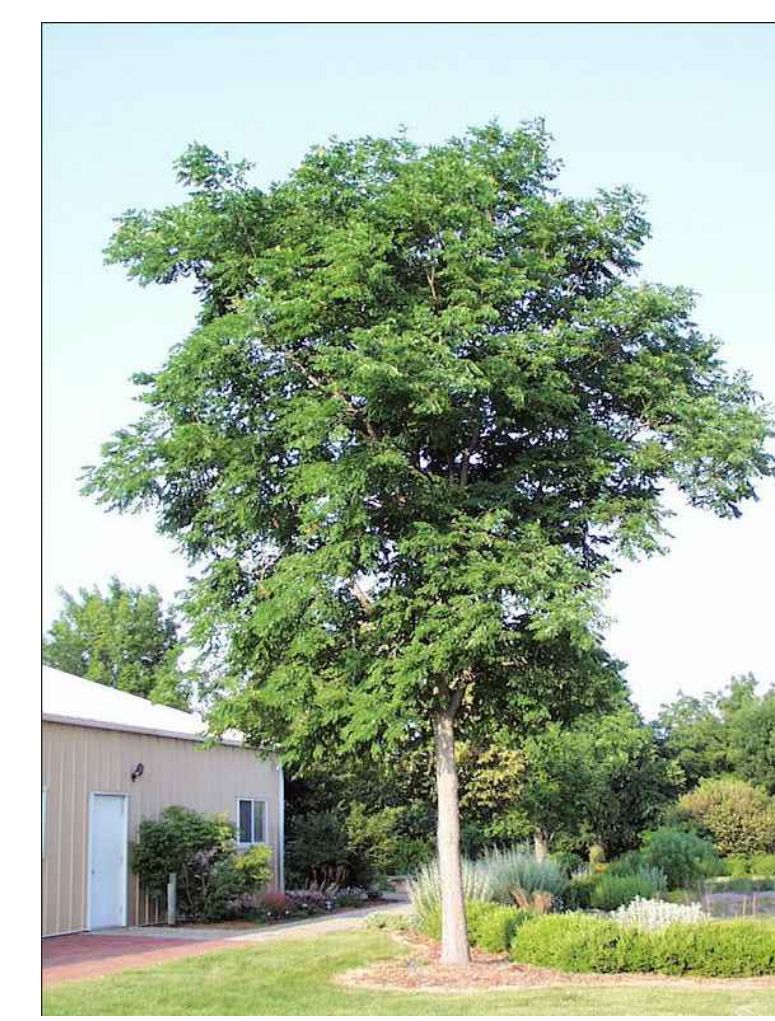
(A) *Gleditsia triacanthos* 'Skyline'



(B) *Celtis occidentalis* 'Magnifica'



(C) *Acer saccharum* 'Green Mountain'



(D) *Gymnocladus dioicus*



(E) *Platanus x acerifolia*



(F) *Acer rubrum* 'October Glory'



(G) *Acer saccharum* 'Silver Queen'



(H) *Picea orientalis*



(I) *Catalpa bignonioides*



(J) *Metasequoia glyptostroboides*



(J) *Lindera benzoin*



(K) *Chionanthus virginicus*



(L) *Amelanchier arborea*



(M) *Hamamelis x intermedia*



(N) *Ilex glabra*



(O) *Ilex verticillata*



(P) *Dennstaedtia punctilobula*



(Q) *Polygonatum biflorum*



(R) *Polystichum acrostichoides*



(S) *Vinca minor*

(1) Illustrated Plant List

Stamp

NOT FOR CONSTRUCTION

Revisions No.	Description	Date

Scale: As Noted

Drawing Title

Planting Details

Job Number 15039.04 Drawing No. L2.06
 Drawn by MVA
 Checked MVA
 Date 05 October 2017
 Scale