

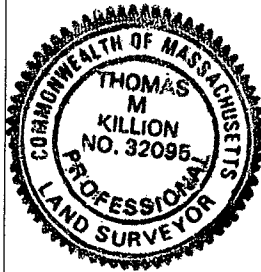
BARTLETT STREET

NOTE: TIES TO PROPERTY LINES ARE TAKEN FROM CORNERBOARD

CERTIFIED
 PLOT PLAN OF LAND
 26 BARTLETT STREET
 SOMERVILLE, MA

I HEREBY CERTIFY THAT THIS PLAN WAS PREPARED FROM AN INSTRUMENT SURVEY.

Thomas M. Killion 11/21/2011
 THOMAS M. KILLION, P.L.S. DATE:



PREPARED BY:
 MEDFORD ENGINEERING & SURVEY
 ANGELO B. VENEZIANO ASSOCIATES
 15 HALL ST. MEDFORD, MA. 02155
 781-396-4466 fax: 781-396-8052

SCALE: 1" = 20'

TITLE REF: BK 17296 PG 537

DATE: NOVEMBER 21, 2011

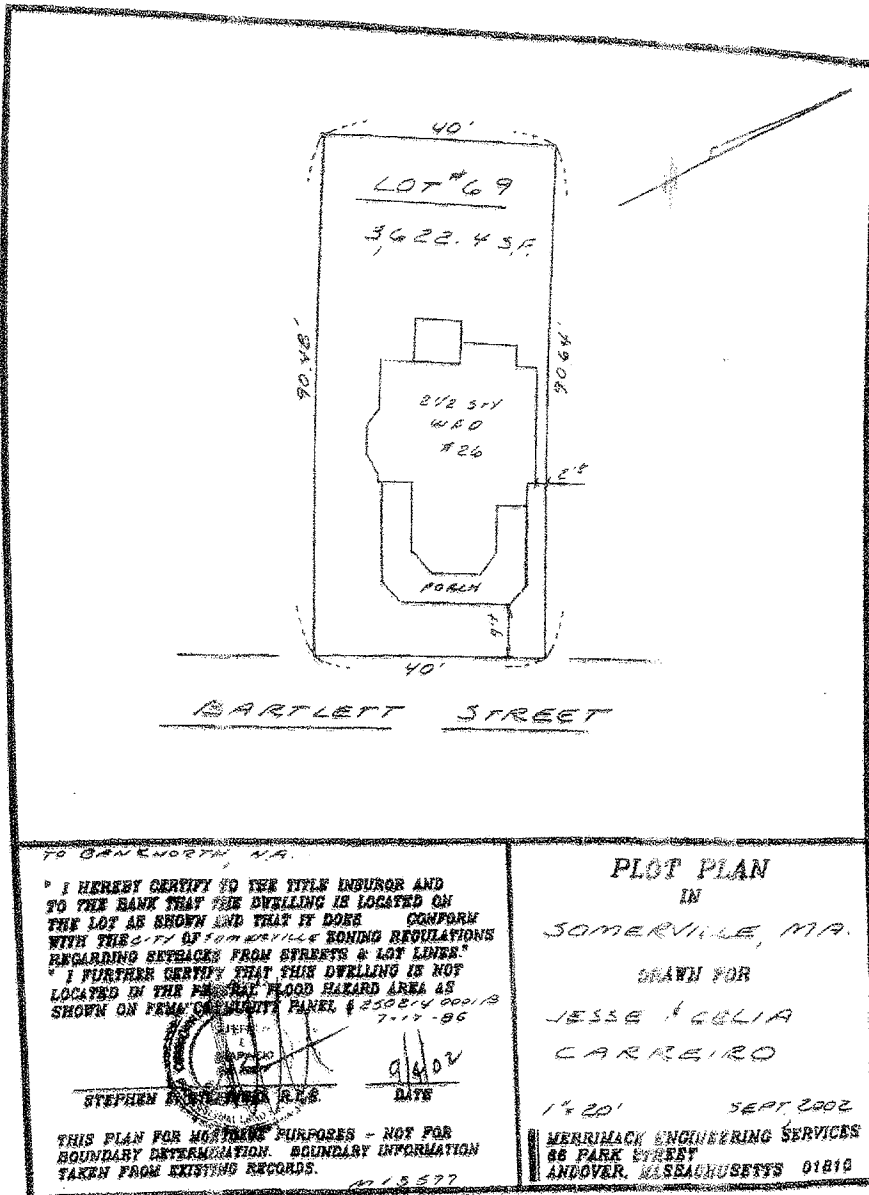
FILE No. 18180

Carreiro Kitchen

26 Bartlett St.
Somerville, MA

PREPARED FOR:
JESSE & CELIA CARREIRO

Site Plans A-00
Floor Plans A-01
Exterior Elevations A-02
Wall Section A-03
Perspective A-04



SOMERVILLE, MA.

I HEREBY CERTIFY TO THE TITLE INSUROR AND TO THE BANK THAT THE DWELLING IS LOCATED ON THE LOT AS SHOWN AND THAT IT DOES CONFORM WITH THE CITY OF SOMERVILLE ZONING REGULATIONS REGARDING SETBACKS FROM STREETS & LOT COVER. I FURTHER CERTIFY THAT THIS DWELLING IS NOT LOCATED IN THE FEDERAL FLOOD HAZARD AREA AS SHOWN ON FEMA'S FLOOD PANEL # 250214 0001A 7-17-96

STEPHEN [Signature] P.E.
DATE 9/14/02

THIS PLAN FOR MOST PART PURPOSES - NOT FOR BOUNDARY DETERMINATION. BOUNDARY INFORMATION TAKEN FROM EXISTING RECORDS.

015577

PLOT PLAN IN

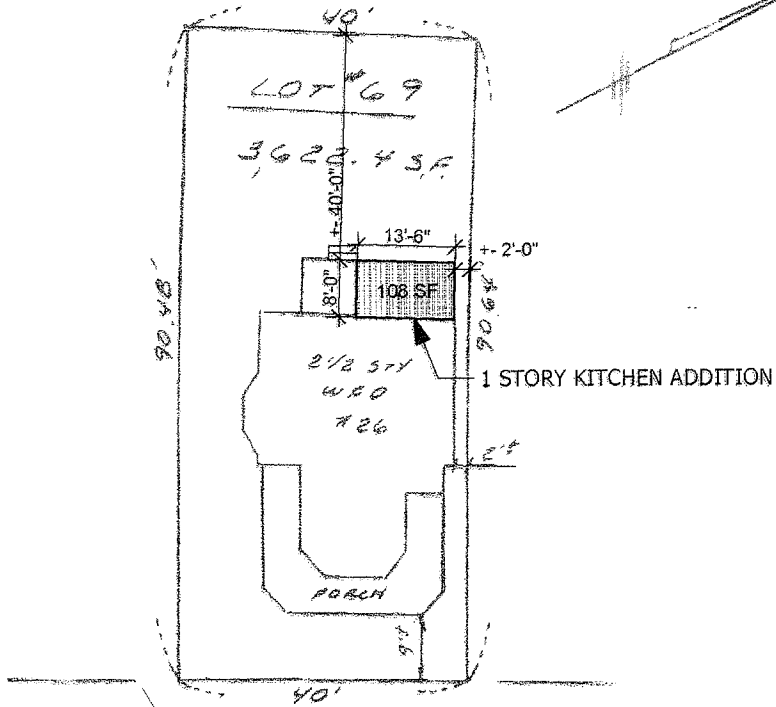
SOMERVILLE, MA.

DRAWN FOR

JESSE & CELIA
CARREIRO

14 20' SEPT 2002

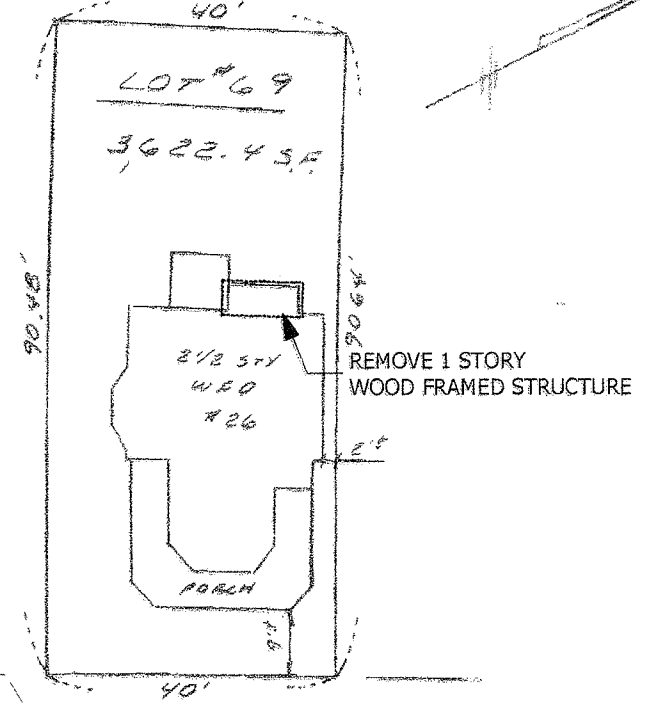
MERRIMACK ENGINEERING SERVICES
86 PARK STREET
ANDOVER, MASSACHUSETTS 01810



BARTLETT STREET

2
-

Site Plan
1/16" = 1'-0"



BARTLETT STREET

1
-

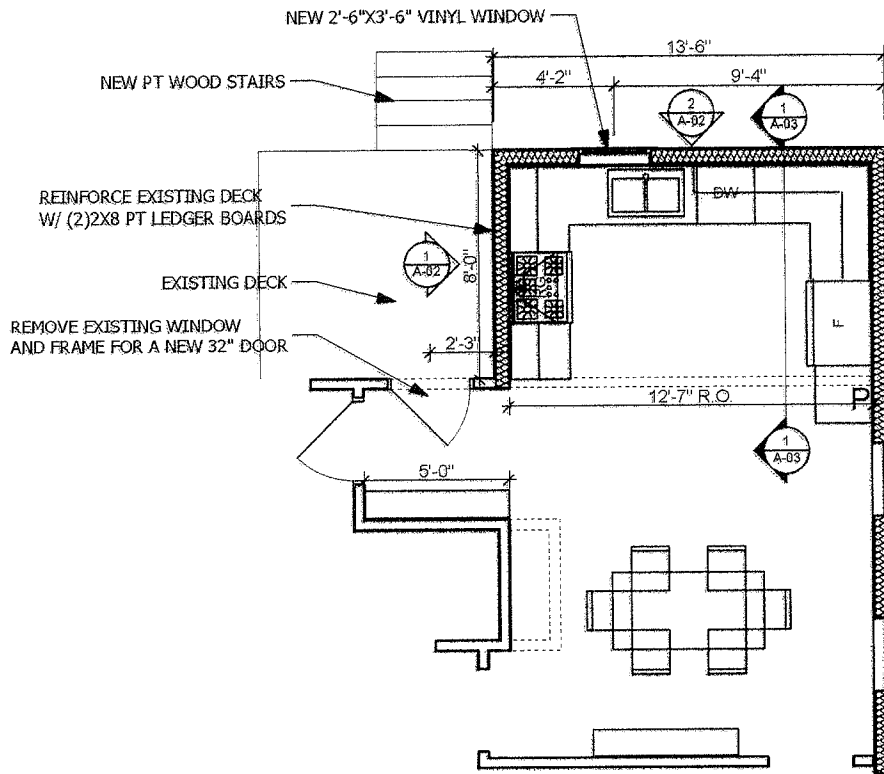
Demo Site Plan
1/16" = 1'-0"

Carreiro Kitchen
26 Bartlett St.
Somerville, MA

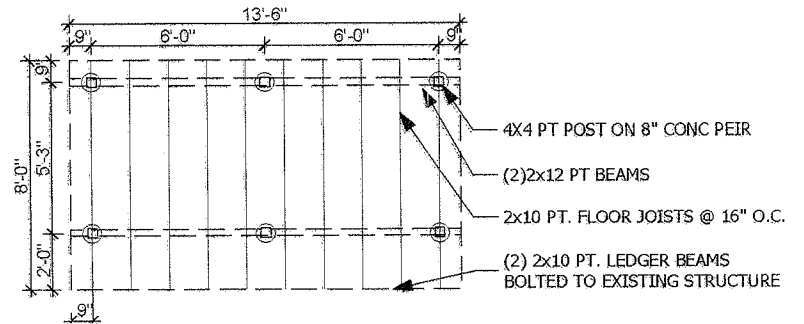
SITE PLAN

Scale: 1/16" = 1'-0"
Date: 07/06/2011
Drawn by:
Checked by:
Stage: PERMIT

A-00



1
-
Floor Plan
1/4" = 1'-0"



2
-
Foundation/Framing Plan
1/4" = 1'-0"

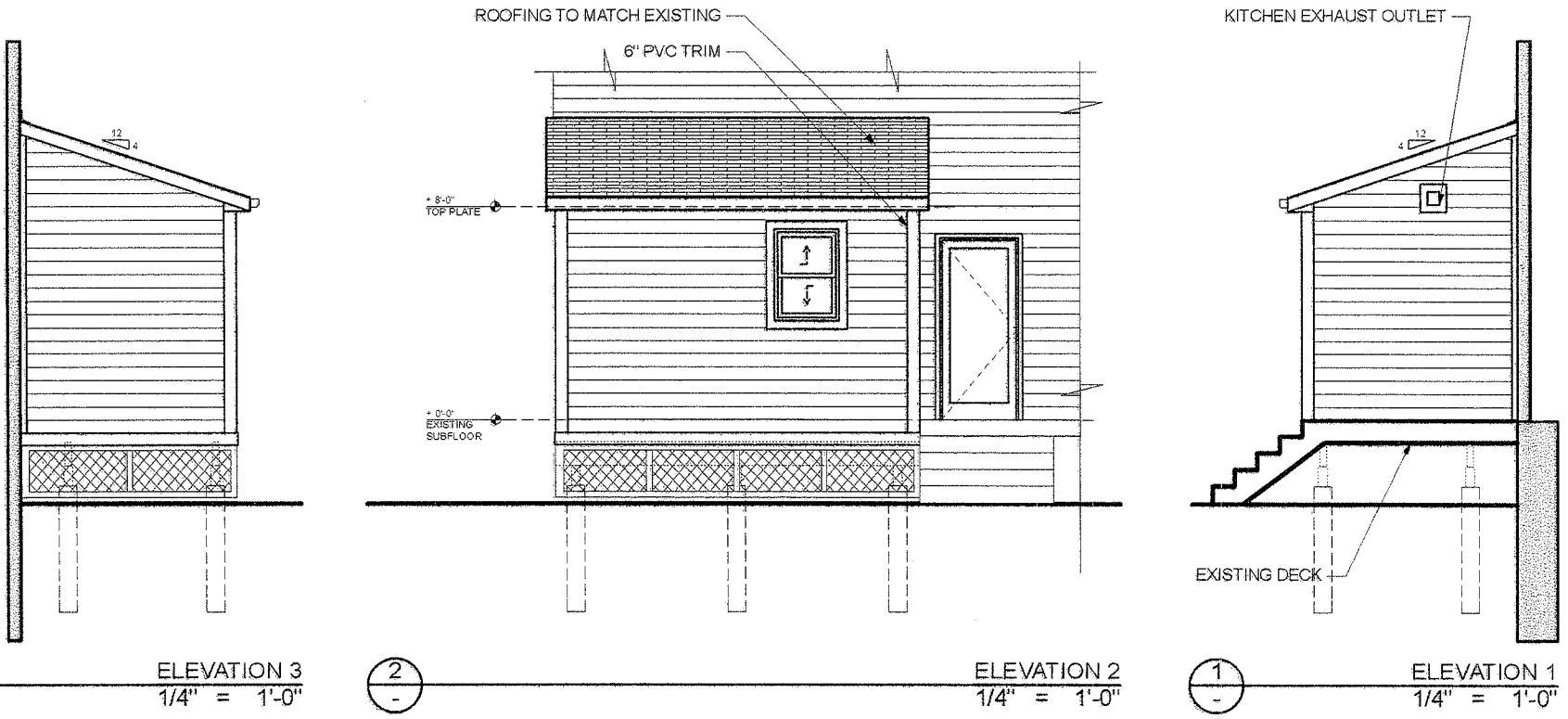
- GENERAL DEMO NOTES:
- 1.) REMOVE ALL DRYWALL AND PLASTER
 - 2.) REMOVE ALL FINISHED FLOORING
 - 3.) REMOVE SUSPENDED CEILING SYSTEM
 - 4.) REMOVE ALL EXISING CABINETS
 - 5.) REMOVE EXISIGN WALLS AND CREAT NEW OP DESIGNATED WITH

Carreiro Kitchen
26 Bartlett St.
Somerville, MA

FLOOR PLANS

Scale: 1/4" = 1'-0"
Date: 07/08/2011
Drawn by:
Checked by:
Issue: PERMIT

A-01



3
-

ELEVATION 3
1/4" = 1'-0"

2
-

ELEVATION 2
1/4" = 1'-0"

1
-

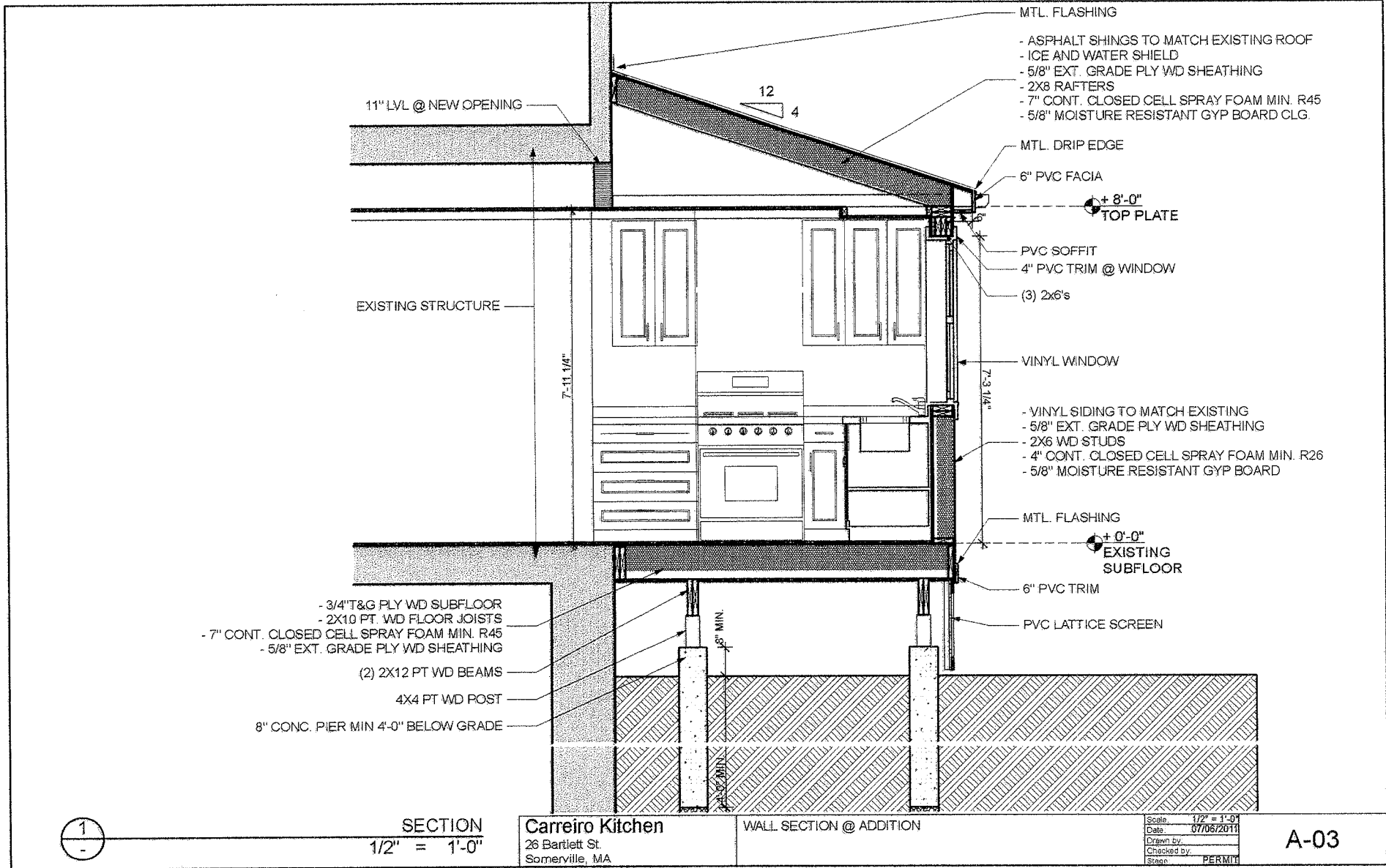
ELEVATION 1
1/4" = 1'-0"

Carreiro Kitchen
26 Bartlett St.
Somerville, MA

EXTERIOR ELEVATIONS

Scale: 1/4" = 1'-0"
Date: 07/06/2011
Drawn by:
Checked by:
Stage: PERMIT

A-02



1
-

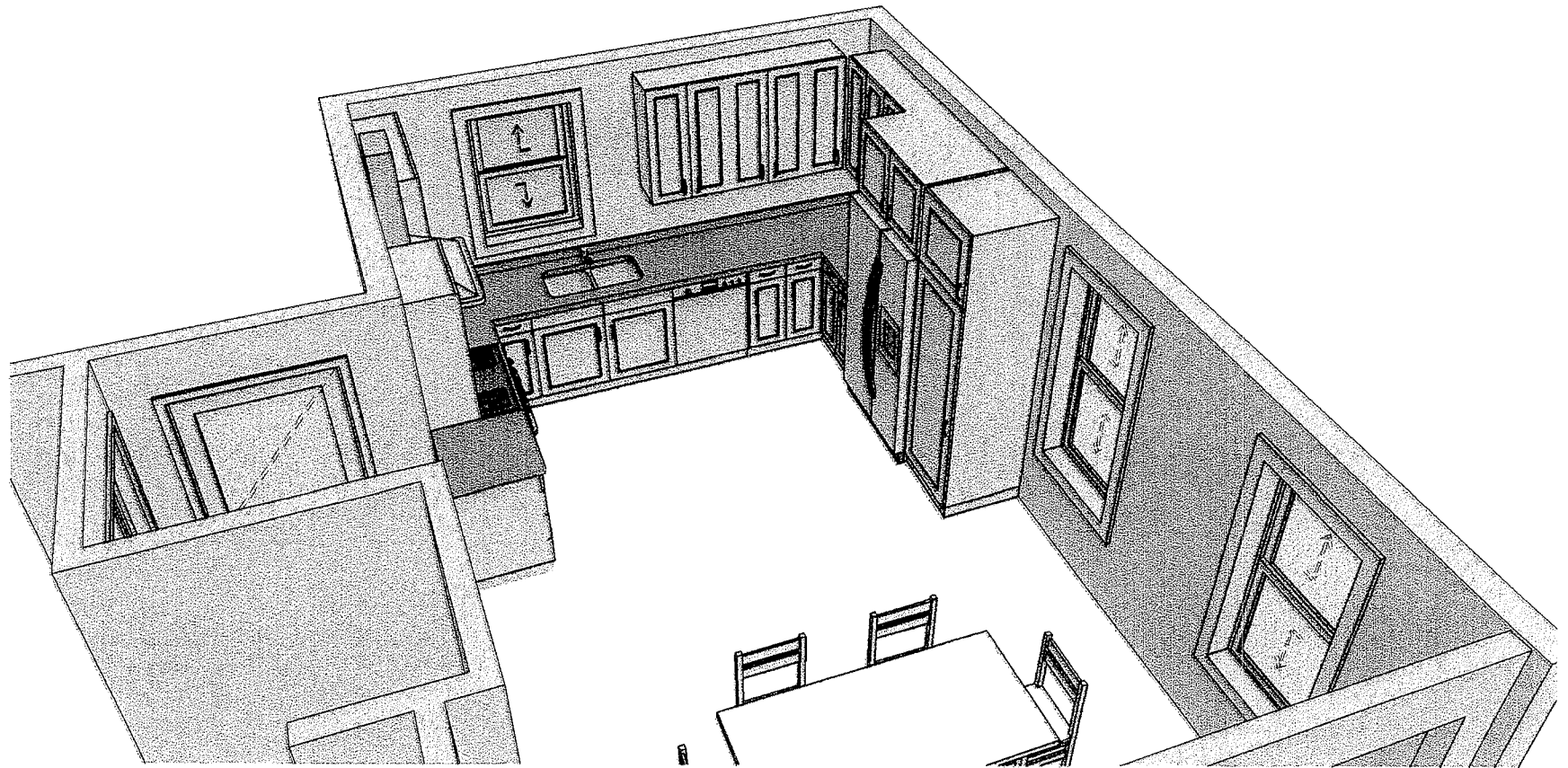
SECTION
1/2" = 1'-0"

Carreiro Kitchen
26 Bartlett St.
Somerville, MA

WALL SECTION @ ADDITION

Scale: 1/2" = 1'-0"
Date: 07/05/2011
Drawn by:
Checked by:
Stamp: PERMIT

A-03



Carreiro Kitchen
26 Bartlett St.
Somerville, MA

Perspective

Scale	NTS
Date	07/06/2011
Drawn by	
Checked by	
Stage	PERMIT

A-04